

Off Grid Solar Inverter SPF 3500 ES SPF 5000 ES

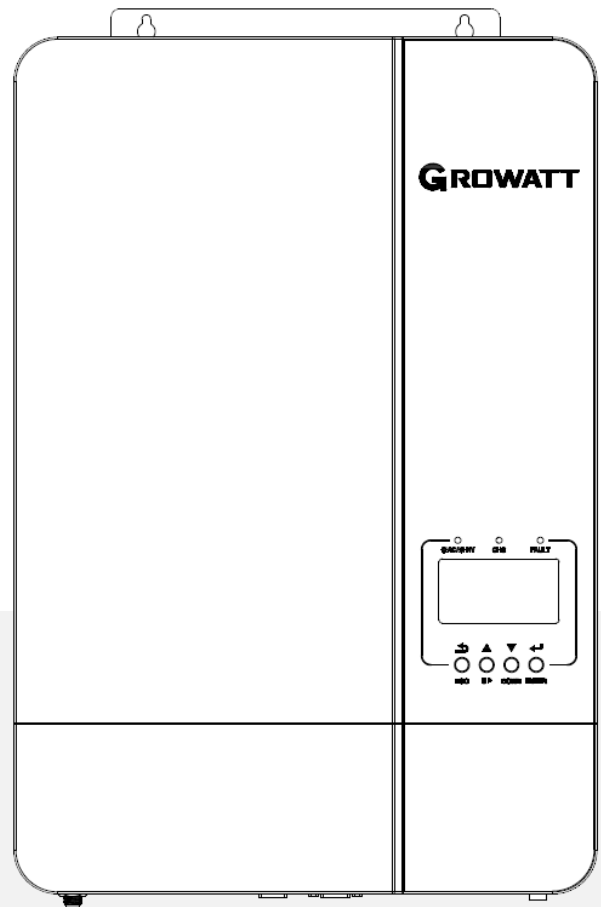


Table Of Contents

| | |
|---|-----------|
| Information on this Manual | 1 |
| Validity | 1 |
| Scope | 1 |
| Target Group | 1 |
| Safety Instructions | 1 |
| Introduction | 2 |
| Features | 2 |
| Product Overview | 3 |
| Installation | 4 |
| Unpacking and Inspection | 4 |
| Preparation | 4 |
| Mounting the Unit | 4 |
| Battery Connection | 5 |
| Lead-acid Battery Connection | 5 |
| Lithium Battery Connection | 6 |
| AC Input/Output Connection | 9 |
| PV Connection | 10 |
| Communication Connection | 11 |
| Dry Contact Signal | 11 |
| Operation | 12 |
| Power ON/OFF | 12 |
| Operation and Display Panel | 12 |
| LCD Display Icons | 13 |
| LCD Setting..... | 15 |
| Display Information | 20 |
| Operating Mode Description | 21 |
| Parallel Installation Guide | 22 |
| Introduction | 22 |
| Parallel Board Installation | 22 |
| Parallel Operation in Single Phase | 25 |
| Parallel Operation in Three Phase | 28 |
| PV Connection | 31 |
| LCD Setting and Display | 31 |
| Fault Reference Code..... | 33 |
| Warning Indicator | 34 |
| Battery Equalization | 35 |
| Specifications..... | 36 |
| Trouble Shooting..... | 39 |

Information on this Manual

Validity

This manual is valid for the following devices:

- ▶ SPF 3500 ES
- ▶ SPF 5000 ES

Scope

This manual describes the assembly, installation, operation and troubleshooting of this unit. Please read this manual carefully before installations and operations.

Target Group

This document is intended for qualified persons and end users. Tasks that do not require any particular qualification can also be performed by end users. Qualified persons must have the following skills:

- ▶ Knowledge of how an inverter works and is operated
- ▶ Training in how to deal with the dangers and risks associated with installing and using electrical devices and installations
- ▶ Training in the installation and commissioning of electrical devices and installations
- ▶ Knowledge of the applicable standards and directives
- ▶ Knowledge of and compliance with this document and all safety information

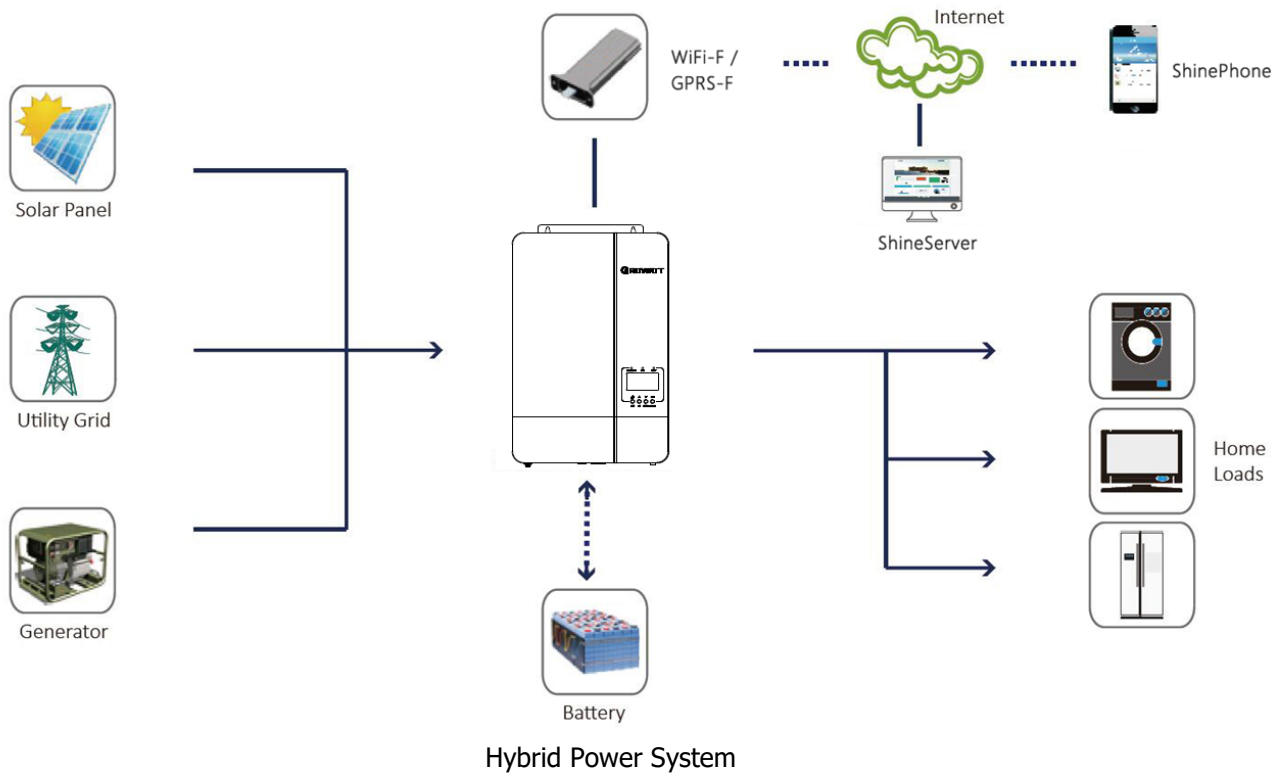
Safety Instructions



WARNING: This chapter contains important safety and operating instructions. Read and keep this manual for future reference.

1. Please be clear which kind of battery system you want, lithium battery system or lead-acid battery system, if you choose the wrong system, energy storage system can't work normally.
2. Before using the unit, read all instructions and cautionary marking on the unit, the batteries and all appropriate sections of this manual. The company has the right not to quality assurance, if not according to the instructions of this manual for installation and cause equipment damage.
3. All the operation and connection please professional electrical or mechanical engineer.
4. All the electrical installation must comply with the local electrical safety standards.
5. When install PV modules in the daytime, installer should cover the PV modules by opaque materials, otherwise it will be dangerous as high terminal voltage of modules in the sunshine.
6. **CAUTION**-To reduce risk of injury, charge only deep-cycle lead-acid type rechargeable batteries and lithium batteries. Other types of batteries may burst, causing personal injury and damage.
7. Do not disassemble the unit. Take it to a qualified service center when service or repair is required. Incorrect re-assembly may result in a risk of electric shock or fire.
8. To reduce risk of electric shock, disconnect all wirings before attempting any maintenance or cleaning. Turning off the unit will not reduce this risk.
9. **NEVER** charge a frozen battery.
10. For optimum operation of this inverter, please follow required spec to select appropriate cable size. It's very important to correctly operate this inverter.
11. Be very cautious when working with metal tools on or around batteries. A potential risk exists to drop a tool to spark or short circuit batteries or other electrical parts and could cause an explosion.
12. Please strictly follow installation procedure when you want to disconnect AC or DC terminals. Please refer to INSTALLATION section of this manual for the details.
13. GROUNDING INSTRUCTIONS -This inverter should be connected to a permanent grounded wiring system. Be sure to comply with local requirements and regulation to install this inverter.
14. **NEVER** cause AC output and DC input short circuited. Do NOT connect to the mains when DC input short circuits.
15. Make sure the inverter is completely assembled, before the operation.

Introduction



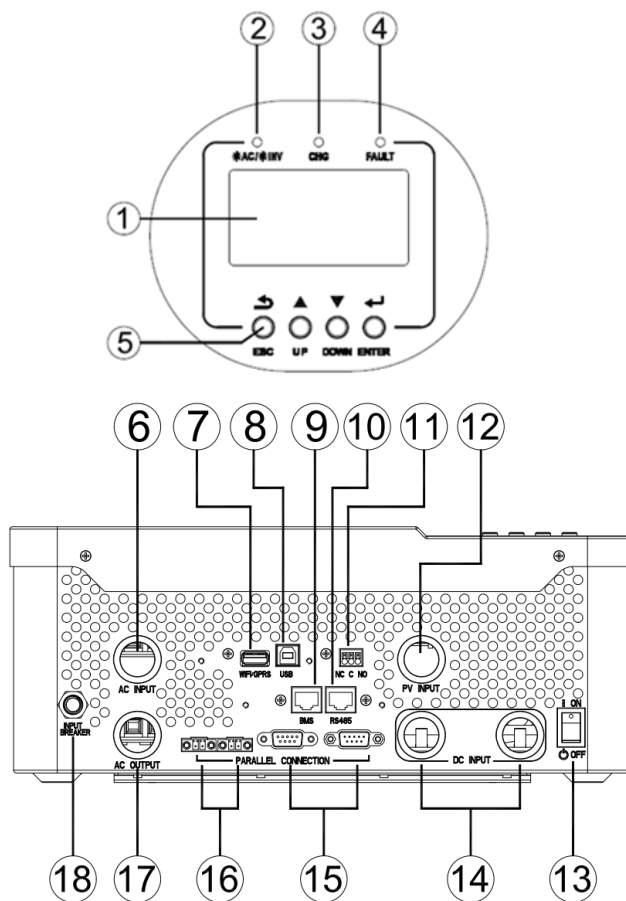
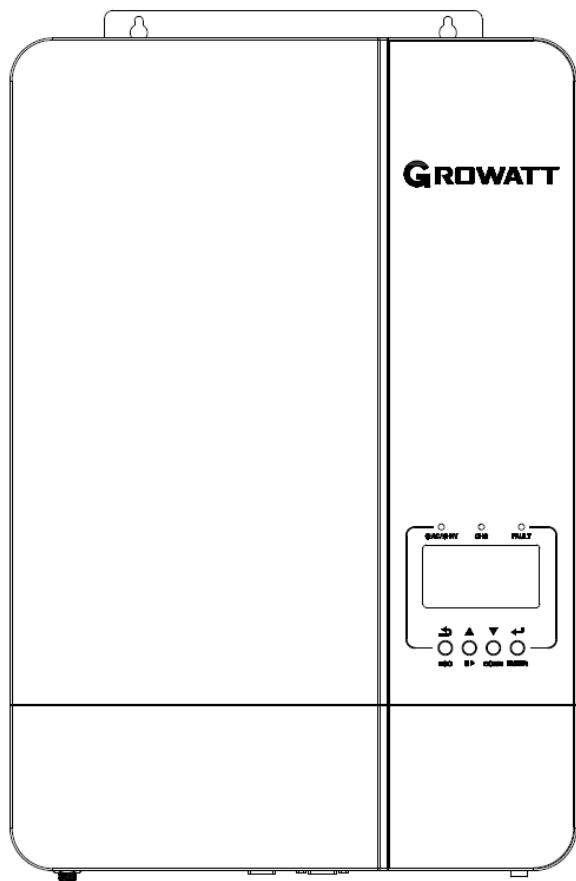
This is a multifunctional off grid solar inverter, integrated with a MPPT solar charge controller, a high frequency pure sine wave inverter and a UPS function module in one machine, which is perfect for off grid backup power and self-consumption applications. This inverter can work with or without batteries.

The whole system also need other devices to achieve complete running such as PV modules, generator, or utility grid. Please consult with your system integrator for other possible system architectures depending on your requirements. The WiFi / GPRS module is a plug-and-play monitoring device to be installed on the inverter. With this device, users can monitor the status of the PV system from the mobile phone or from the website anytime anywhere.

Features

- ▶ Rated power 3.5KW to 5KW, power factor 1
- ▶ MPPT ranges 120V~430V, 450Voc
- ▶ High frequency inverter with small size and light weight
- ▶ Pure sine wave AC output
- ▶ Solar and utility grid can power loads at the same time
- ▶ With CAN/RS485 for BMS communication
- ▶ With the ability to work without battery
- ▶ Parallel operation up to 6 unit (only with battery connected)
- ▶ WIFI/ GPRS remote monitoring (optional)

Product Overview



- | | |
|--|--|
| 1. LCD display | 2. Status indicator |
| 3. Charging indicator | 4. Fault indicator |
| 5. Function buttons | 6. AC input |
| 7. WiFi/GPRS communication port | 8. USB communication port |
| 9. BMS communication port (support CAN/RS485 protocol) | 10. RS485 communication port (for expansion) |
| 11. Dry contact | 12. PV input |
| 13. Power on/off switch | 14. Battery input |
| 15. Parallel communication ports | 16. Current sharing ports |
| 17. AC output | 18. Circuit breaker |

Installation

Unpacking and Inspection

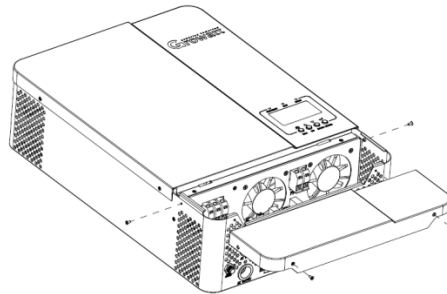
Before installation, please inspect the unit. Be sure that nothing inside the package is damaged. You should have received the following items in the package:

- ▶ The unit x 1
- ▶ User manual x 1
- ▶ Communication cable x 1
- ▶ Current sharing cable x 1
- ▶ Parallel communication cable x 1

Note: The Software CD is no longer provided, if necessary, please download it from the official website www.ginverter.com

Preparation

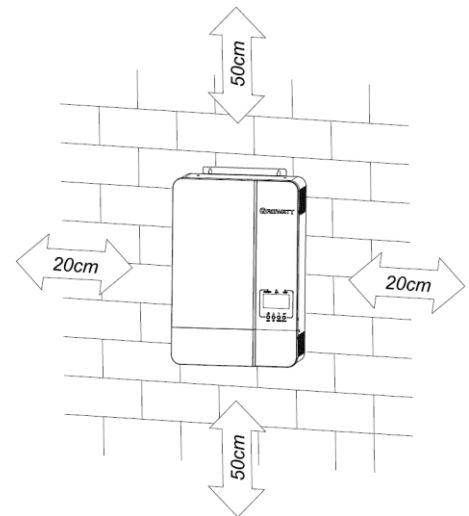
Before connecting all wiring, please take off bottom cover by removing two screws as shown below.



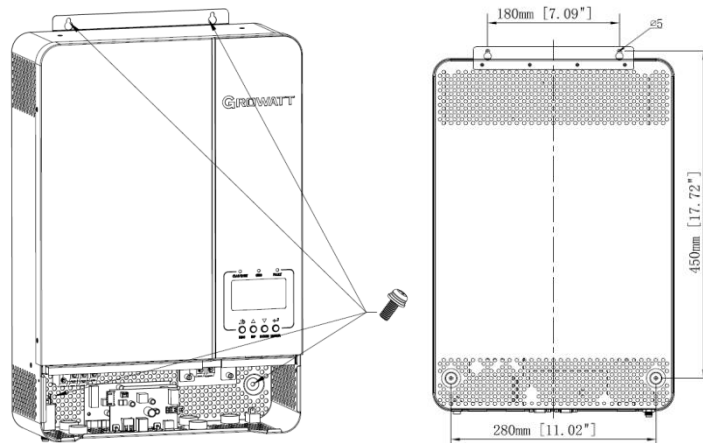
Mounting the Unit

Consider the following points before selecting where to install:

- ▶ Do not mount the inverter on flammable construction materials.
- ▶ Mount on a solid surface
- ▶ Install this inverter at eye level in order to allow the LCD display to be read at all times.
- ▶ The ambient temperature should be between 0°C and 55°C to ensure optimal operation.
- ▶ The recommended installation position is to be adhered to the wall vertically.
- ▶ Be sure to keep other objects and surfaces as shown in the right diagram to guarantee sufficient heat dissipation and to have enough space for removing wires.



SUITABLE FOR MOUNTING ON CONCRETE OR OTHER NON-COMBUSTIBLE SURFACE ONLY.



Install the unit by screwing three screws. It's recommended to use M4 or M5 screws.

Battery Connection

Lead-acid Battery Connection

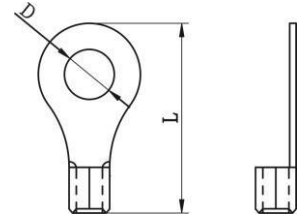
User can choose proper capacity lead acid battery with a nominal voltage at 48V. Also, you need to choose battery type as "AGM(default) or FLD"

CAUTION: For safety operation and regulation compliance, it's requested to install a separate DC over-current protector or disconnect device between battery and inverter. It may not be requested to have a disconnect device in some applications, however, it's still requested to have over-current protection installed. Please refer to typical amperage in below table as required fuse or breaker size.

WARNING! All wiring must be performed by a qualified person.

WARNING! It's very important for system safety and efficient operation to use appropriate cable for battery connection. To reduce risk of injury, please use the proper recommended cable and terminal size as below.

Ring terminal:



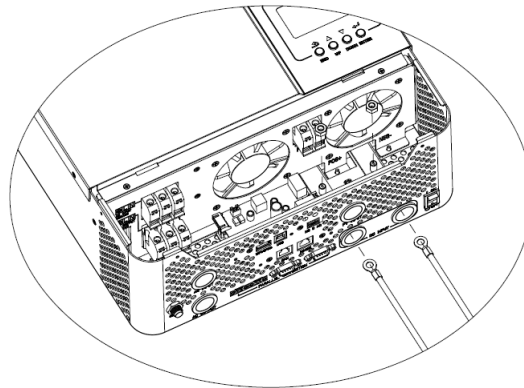
Recommended battery cable and terminal size:


| Model | Wire Size | Torque value |
|-------------|-----------|--------------|
| SPF 3500 ES | 1 * 4 AWG | 2-3 Nm |
| SPF 5000 ES | 1 * 2 AWG | 2-3 Nm |


Note: For lead acid battery, the recommended charge current is 0.2C(C→battery capacity)

Please follow below steps to implement battery connection:

1. Assemble battery ring terminal based on recommended battery cable and terminal size.
2. Connect all battery packs as units requires. It's suggested to connect at least 200Ah capacity battery for SPF 3500 ES /SPF 5000 ES.
3. Insert the ring terminal of battery cable flatly into battery connector of inverter and make sure the bolts are tightened with torque of 2Nm. Make sure polarity at both the battery and the inverter/charge is correctly connected and ring terminals are tightly screwed to the battery terminals.



 **WARNING: Shock Hazard**
Installation must be performed with care due to high battery voltage in series.

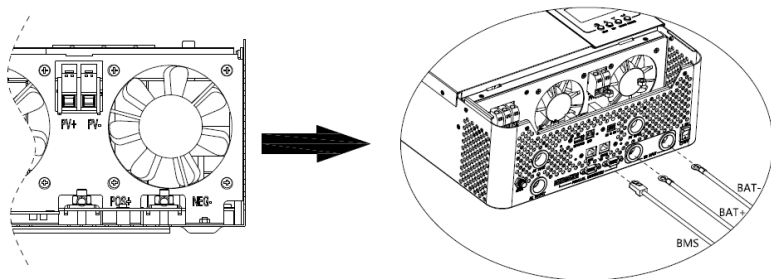
 **CAUTION!!** Do not place anything between the flat part of the inverter terminal and the ring terminal. Otherwise, overheating may occur.
CAUTION!! Do not apply anti-oxidant substance on the terminals before terminals are connected tightly.
CAUTION!! Before making the final DC connection or closing DC breaker/disconnector, be sure positive (+) must be connected to positive (+) and negative (-) must be connected to negative (-).

Lithium Battery Connection

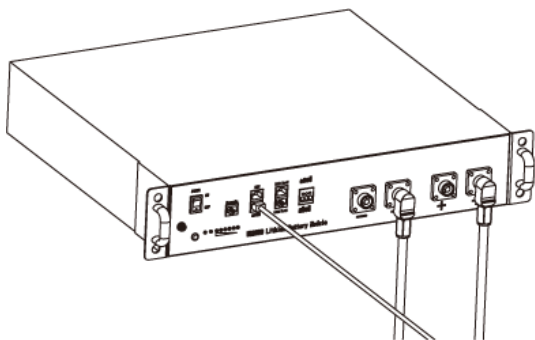
If choosing lithium battery for SPF 3500 ES /SPF 5000 ES, you are allowed to use the lithium battery only which we have configured. There're two connectors on the lithium battery, RJ45 port of BMS and power cable.

Please follow below steps to implement lithium battery connection:

1. Assemble battery ring terminal based on recommended battery cable and terminal size (same as Lead acid, see section Lead-acid Battery connection for details) .
2. Insert the ring terminal of battery cable flatly into battery connector of inverter and make sure the bolts are tightened with torque of 2-3Nm. Make sure polarity at both the battery and the inverter/charge is correctly connected and ring terminals are tightly screwed to the battery terminals.
3. Connect the end of RJ45 of battery to BMS communication port(RS485 or CAN) of inverter.



4. The other end of RJ45 insert to battery communication port(RS485 or CAN).



Note: If choosing lithium battery, make sure to connect the BMS communication cable between the battery and the inverter. You need to choose battery type as "lithium battery".

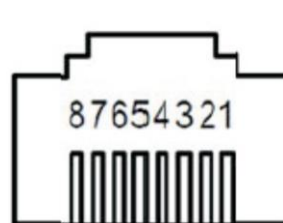
Lithium battery communication and setting

In order to communicate with battery BMS, you should set the battery type to "LI" in Program 5. Then the LCD will switch to Program 36, which is to set the protocol type. There are several protocols in the inverter. Please get instruction from Growatt to choose which protocol to match the BMS.

1. Connect the end of RJ45 of battery to BMS communication port of inverter

Make sure the lithium battery BMS port connects to the inverter is Pin to Pin, the inverter BMS port pin and RS485 port pin assignment shown as below:

| Pin number | BMS port | RS485 port (for expansion) |
|------------|----------|----------------------------|
| 1 | RS485B | RS485B |
| 2 | RS485A | RS485A |
| 3 | -- | -- |
| 4 | CANH | -- |
| 5 | CANL | -- |
| 6 | -- | -- |
| 7 | -- | -- |
| 8 | -- | -- |



LCD setting

To connect battery BMS, need to set the battery type as "LI" in Program 05.

After set "LI" in Program 05, it will switch to Program 36 to choose communication protocol. You can choose RS485 communication protocol which is from L01 to L50, and you can also choose CAN communication protocol which is from L51 to L99.

| | | |
|----|--------------|---|
| 05 | Battery type | AGM (default) bAtt AGM 005° |
| | | Flooded bAtt FLd 005° |
| | | Lithium (only suitable when communicated with BMS) bAtt LI 005° |
| | | User-Defined bAtt USE 005° If "User-Defined" is selected, battery charge voltage and low DC cut-off voltage can be set up in program 19, 20 and 21. |
| | | User-Defined 2 (suitable when lithium battery without BMS communication) bAtt US2 005° If "User-Defined 2" is selected, battery charge voltage and low DC cut-off voltage can be set up in program 19, 20 and 21. It is recommended to set to the same voltage in program 19 and 20(full charging voltage point of lithium battery). The inverter will stop charging when the battery voltage reaches this setting. |

| | | | |
|----|---------------------------------|-------------|---------------|
| 36 | RS485 Communication protocol | Protocol 1 | PtCL L01 036° |
| | | Protocol 2 | PtCL L02 036° |
| | | : | : |
| | | Protocol 50 | PtCL L50 036° |
| | CAN Communication protocol | Protocol 51 | PtCL L51 036° |
| | | Protocol 52 | PtCL L52 036° |
| | | : | : |
| | | : | : |
| | | : | : |
| | | Protocol 99 | PtCL L99 036° |

Note: When the battery type set to Li, the setting option 12, 13, 21 will change to display percent.

Note: When the battery type set as "LI", the Maximum charge current can't be modified by the user. When the communication fail, the inverter will cut off output.

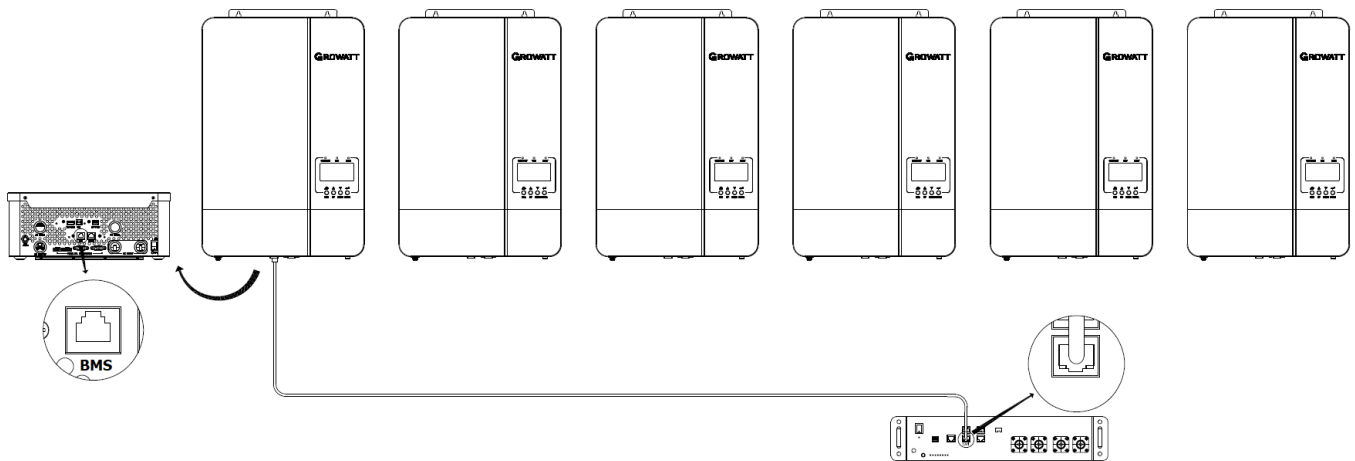
| | | |
|----|---|------------------------------------|
| 12 | Setting SOC point back to utility source when selecting "SBU priority" or "Solar first" in program 01 | Default 50%, 6%~95% Settable |
| 13 | Setting SOC point back to battery mode when selecting "SBU priority" or "Solar first" in program 01 | Default 95%, 10%~100% Settable |

| | | |
|----|--|----------------------------------|
| 21 | Low DC cut-off SOC If "LI" is selected in program 5, this program can be set up | Default 20%, 5%~50% Settable |
|----|--|----------------------------------|

Note: Any questions about communicating with BMS, please consult with Growatt.

Communicating with battery BMS in parallel system

If need to use communicate with BMS in a parallel system, you should make sure to connect the BMS communication cable between the battery and one inverter of the parallel system. It's recommended to connect to the master inverter of the parallel system.



AC Input/Output Connection

CAUTION!! Before connecting to AC input power source, please install a **separate** AC breaker between inverter and AC input power source. This will ensure the inverter can be securely disconnected during maintenance and fully protected from over current of AC input. The recommended spec of AC breaker is 40A for SPF 3500 ES and 50A for SPF 5000 ES.

CAUTION!! There are two terminal blocks with "IN" and "OUT" markings. Please do NOT mis-connect input and output connectors.

WARNING! All wiring must be performed by a qualified personnel.

WARNING! It's very important for system safety and efficient operation to use appropriate cable for AC input connection. To reduce risk of injury, please use the proper recommended cable size as below.

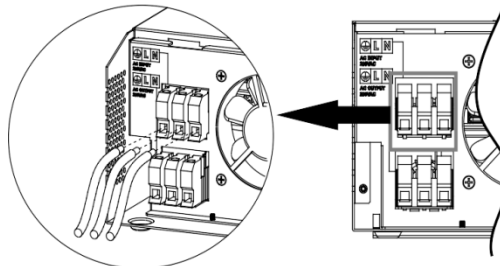
Suggested cable requirement for AC wires

| Model | Gauge | Torque Value |
|-------------|------------|--------------|
| SPF 3500 ES | 1 * 10 AWG | 1.2-1.6 Nm |
| SPF 5000 ES | 1 * 8 AWG | 1.2-1.6 Nm |

Please follow below steps to implement AC input/output connection:

1. Before making AC input/output connection, be sure to open DC protector or disconnecter first.
2. Remove insulation sleeve 10mm for six conductors. And shorten phase L and neutral conductor N 3 mm.
3. Insert AC input wires according to polarities indicated on terminal block and tighten the terminal screws. Be sure to connect PE protective conductor \oplus first.

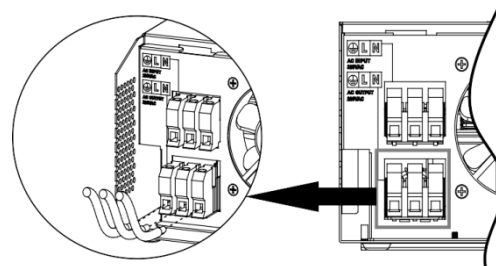
\oplus → **Ground (yellow-green)**
L → **LINE (brown or black)**
N → **Neutral (blue)**



WARNING:
 Be sure that AC power source is disconnected before attempting to hardwire it to the unit.

4. Then, insert AC output wires according to polarities indicated on terminal block and tighten terminal screws. Be sure to connect PE protective conductor \oplus first.

\oplus → **Ground (yellow-green)**
L → **LINE (brown or black)**
N → **Neutral (blue)**



5. Make sure the wires are securely connected.

CAUTION: Important

Be sure to connect AC wires with correct polarity. If L and N wires are connected reversely, it may cause utility short-circuited when these inverters are worked in parallel operation.

CAUTION: Appliances such as air conditioner are required at least 2~3 minutes to restart because it's required to have enough time to balance refrigerant gas inside of circuits. If a power shortage occurs and recovers in a short time, it will cause damage to your connected appliances. To prevent this kind of damage, please check with manufacturer of air conditioner that if it's equipped with time-delay function before installation. Otherwise, this off grid solar inverter will trig overload fault and cut off output to protect your appliance but sometimes it still causes internal damage to the air conditioner.

PV Connection

CAUTION: Before connecting to PV modules, please install **separately** a DC circuit breaker between inverter and PV modules.

WARNING! All wiring must be performed by a qualified personnel.

WARNING! It's very important for system safety and efficient operation to use appropriate cable for PV module connection. To reduce risk of injury, please use the proper recommended cable size as below.

| Model | Wire Size | Torque value |
|-------------|------------|--------------|
| SPF 3500 ES | 1 * 12 AWG | 1.2-1.6 Nm |
| SPF 5000 ES | 1 * 12 AWG | 1.2-1.6 Nm |

PV Module Selection:

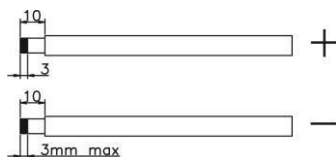
When selecting proper PV modules, please be sure to consider below parameters:

1. Open circuit Voltage (Voc) of PV modules not exceeds max. PV array open circuit voltage of inverter.
2. Open circuit Voltage (Voc) of PV modules should be higher than min. battery voltage.

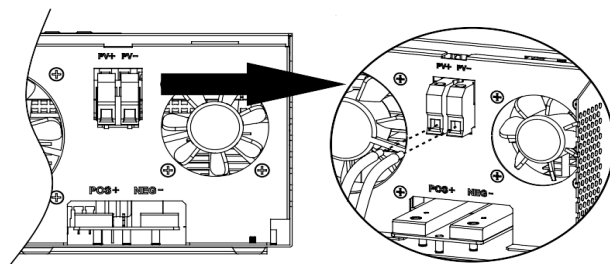
| INVERTER MODEL | SPF 3500 ES | SPF 5000 ES |
|------------------------------------|---------------|-------------|
| Max. PV Array Open Circuit Voltage | 450Vdc | |
| Start-up Voltage | 150Vdc | |
| PV Array MPPT Voltage Range | 120Vdc~430Vdc | |

Please follow below steps to implement PV module connection:

1. Remove insulation sleeve 10 mm for positive and negative conductors.



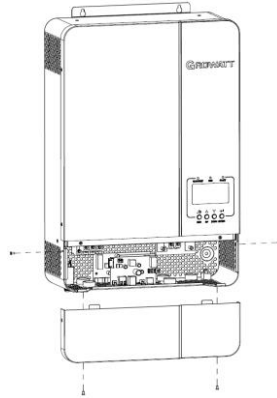
2. Check correct polarity of connection cable from PV modules and PV input connectors. Then, connect positive pole (+) of connection cable to positive pole (+) of PV input connector. Connect negative pole (-) of connection cable to negative pole (-) of PV input connector.



3. Make sure the wires are securely connected.

Final Assembly

After connecting all wiring, please put bottom cover back by screwing two screws as shown below.



Communication Connection

Please use supplied communication cable to connect to inverter and PC. Follow on-screen instruction to install the monitoring software. For the detailed software operation, please check user manual of software. The monitoring software is downloadable from our website www.ginverter.com.

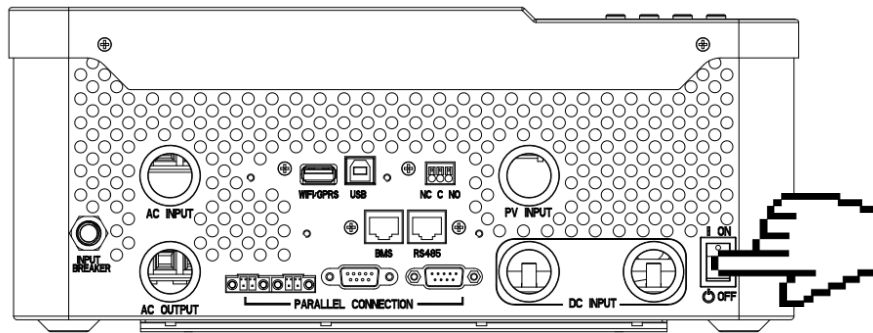
Dry Contact Signal

There is one dry contact(3A/250VAC) available on the rear panel. It could be used to deliver signal to external device when battery voltage reaches warning level.

| Unit Status | Condition | | | Dry contact port: | |
|--|---|---|---|-------------------|--------|
| | | | | NC & C | NO & C |
| Power Off | Unit is off and no output is powered | | | Close | Open |
| Power On | Output is powered from Utility | | | Close | Open |
| | Output is powered from Battery or Solar | Program 01 set as Utility first | Battery voltage (SOC) < Low DC warning voltage(SOC) | Open | Close |
| | | | Battery voltage(SOC) > Setting value in Program 13 or battery charging reaches floating stage | Close | Open |
| | Output is powered from Battery or Solar | Program 01 is set as SBU or Solar first | Battery voltage (SOC) < Setting value in Program 12 | Open | Close |
| Battery voltage (SOC) > Setting value in Program 13 or battery charging reaches floating stage | | | Close | Open | |

Operation

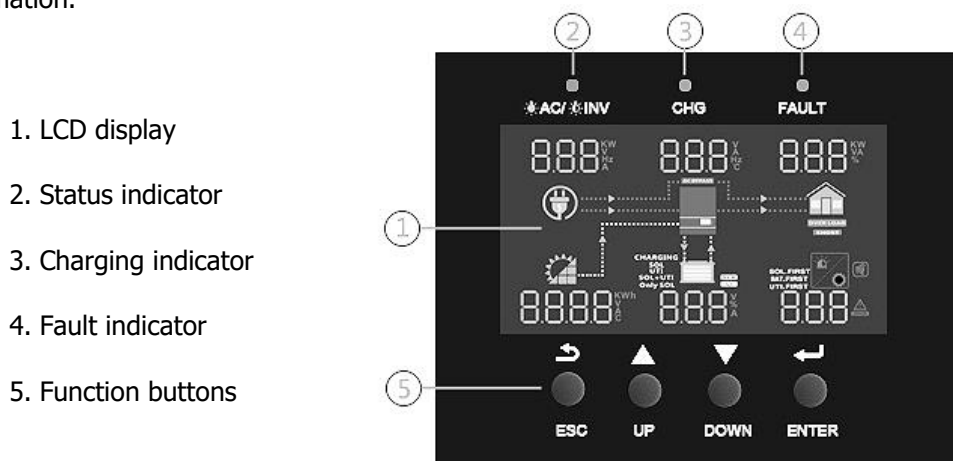
Power ON/OFF



Once the unit has been properly installed and the batteries are connected well, simply press On/Off switch (located on the button of the case) to turn on the unit.

Operation and Display Panel

The operation and display panel, shown in below chart, is on the front panel of the inverter. It includes three indicators, four function keys and a LCD display, indicating the operating status and input/output power information.



1. LCD display
2. Status indicator
3. Charging indicator
4. Fault indicator
5. Function buttons

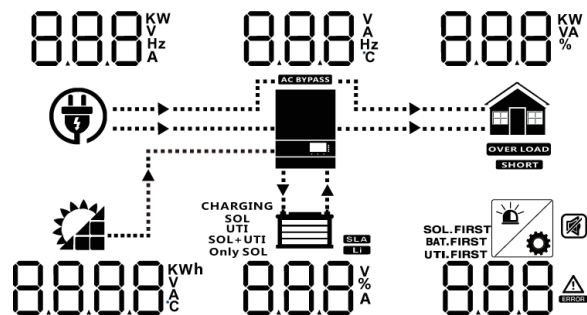
LED Indicator

| LED Indicator | | Messages | |
|---------------|-------|----------|---|
| ☀️ AC / 🌙 INV | Green | Solid On | Output is powered by utility in Line mode. |
| | | Flashing | Output is powered by battery or PV in battery mode. |
| ☀️ CHG | Green | Solid On | Battery is fully charged. |
| | | Flashing | Battery is charging. |
| ⚠️ FAULT | Red | Solid On | Fault occurs in the inverter. |
| | | Flashing | Warning condition occurs in the inverter. |

Function Buttons













| Button | Description |
|--------|--|
| ESC | To exit setting mode |
| UP | To go to previous selection |
| DOWN | To go to next selection |
| ENTER | To confirm the selection in setting mode or enter setting mode |

LCD Display Icons



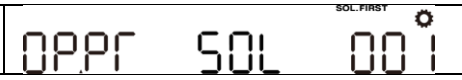

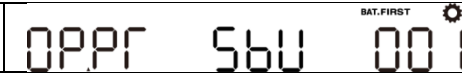




| Icon | Description |
|-----------------------------|---|
| AC Input Information | |
| | AC input icon |
| | Indicate AC input power, AC input voltage, AC input frequency, AC input current |
| | Indicate AC power loads in bypass |
| PV Input Information | |
| | PV input icon |
| | Indicate PV power, PV voltage, PV current, etc |
| Output Information | |
| | Inverter icon |
| | Indicate output voltage, output current, output frequency, inverter temperature |
| Load Information | |
| | Load icon |
| | Indicate power of load, power percentage of load |
| | Indicate overload happened |
| | Indicate short circuit happened |
| Battery Information | |
| | Indicate battery level by 0-24%, 25-49%, 50-74% and 75-100% in battery mode and charging status in line mode. |
| | Indicate battery voltage, battery percentage, battery current |
| | Indicate SLA battery |
| | Indicate lithium battery |
| | Indicate charging source priority: solar first, solar and utility, or only solar |
| Other Information | |
| | Indicate output source priority: solar first, utility first, SBU mode or SUB mode |
| | Indicate warning code or fault code |
| | Indicate a warning or a fault is happening |
| | Indicate it's during setting values |
| | Indicate the alarm is disabled |

| In AC mode, battery icon will present Battery Charging Status | | |
|---|---------------------|--|
| Status | Battery voltage | LCD Display |
| Constant Current mode / Constant Voltage mode | <2V/cell | 4 bars will flash in turns. |
| | 2 ~ 2.083V/cell | Bottom bar will be on and the other three bars will flash in turns. |
| | 2.083 ~ 2.167V/cell | Bottom two bars will be on and the other two bars will flash in turns. |
| | > 2.167 V/cell | Bottom three bars will be on and the top bar will flash. |
| Floating mode. Batteries are fully charged. | | 4 bars will be on. |

| In battery mode, battery icon will present Battery Capacity | | |
|---|--------------------------|---|
| Load Percentage | Battery Voltage | LCD Display |
| Load >50% | < 1.717V/cell |  |
| | 1.717V/cell ~ 1.8V/cell |  |
| | 1.8 ~ 1.883V/cell |  |
| | > 1.883 V/cell |  |
| 50% > Load > 20% | < 1.817V/cell |  |
| | 1.817V/cell ~ 1.9V/cell |  |
| | 1.9 ~ 1.983V/cell |  |
| | > 1.983 |  |
| Load < 20% | < 1.867V/cell |  |
| | 1.867V/cell ~ 1.95V/cell |  |
| | 1.95 ~ 2.033V/cell |  |
| | > 2.033 |  |

LCD Setting

After pressing and holding ENTER button for 3 seconds, the unit will enter setting mode. Press "UP" or "DOWN" button to select setting programs. Then press "ENTER" button to confirm the selection or ESC button to exit.

| Program | Description | Setting Option |
|---------|--|---|
| 01 | Output source priority: To configure load power source priority | Solar first  |
| | | Solar energy provides power to the loads as first priority. If solar energy is not sufficient to power all connected loads, battery energy will supply power the loads at the same time. Utility provides power to the loads only when any one condition happens: - Solar energy is not available - Battery voltage drops to either low-level warning voltage or the setting point in program 12. |
| | | Utility first (default)  |
| | | Utility will provide power to the loads as first priority. Solar and battery energy will provide power to the loads only when utility power is not available. |
| | | SBU priority  |
| | | Solar energy provides power to the loads as first priority. If solar energy is not sufficient to power all connected loads, battery will supply power to the loads at the same time. Utility provides power to the loads only when battery voltage drops to either low-level warning voltage or the setting point in program 12. |
| 02 | Maximum charging current: set total charging current for solar and utility chargers. (Max. charging current = utility charging current + solar charging current) |  SPF 3500 ES: Default 60A, 10A~80A Settable SPF 5000 ES: Default 60A, 10A~100A Settable (If LI is selected in Program 5, this program can't be set up) |
| | | |
| 03 | AC input voltage range | Appliance (default)  If selected, acceptable AC input voltage range will be within 90~280VAC |
| | | UPS  If selected, acceptable AC input voltage range will be within 170~280VAC |
| | | Generator(Only diesel generators allowed)  If selected, acceptable AC input voltage range will be within 90~280VAC. Note: When connecting generator, the generator should be no less than 10KVA(no less than 20KVA for three phase parallel system), and the inverters should be no more than 2 units in one phase. |

| | | | |
|----|--|---|---|
| 04 | Power saving mode enable/disable | Saving mode disable (default) SAVE DIS 004 [⊙] If disabled, no matter connected load is low or high, the on/off status of inverter output will not be effected. | |
| | | Saving mode enable SAVE ENA 004 [⊙] If enabled, the output of inverter will be off when connected load is pretty low or not detected. | |
| 05 | Battery type | AGM (default) BATT AGM 005 [⊙] | |
| | | Flooded BATT FLD 005 [⊙] | |
| | | Lithium (only suitable when communicated with BMS) BATT LI 005 [⊙] | |
| | | User-Defined BATT USE 005 [⊙] If "User-Defined" is selected, battery charge voltage and low DC cut-off voltage can be set up in program 19, 20 and 21. | |
| | | User-Defined 2 (suitable when lithium battery without BMS communication) BATT US2 005 [⊙] If "User-Defined 2" is selected, battery charge voltage and low DC cut-off voltage can be set up in program 19, 20 and 21. It is recommended to set to the same voltage in program 19 and 20(full charging voltage point of lithium battery). The inverter will stop charging when the battery voltage reaches this setting. | |
| 06 | Auto restart when overload occurs | Restart disable (default) LDRS DIS 006 [⊙] | Restart enable LDRS ENA 006 [⊙] |
| | | Restart disable (default) LDRS DIS 007 [⊙] | Restart enable LDRS ENA 007 [⊙] |
| 07 | Auto restart when over temperature occurs | Restart disable (default) LDRS DIS 007 [⊙] | Restart enable LDRS ENA 007 [⊙] |
| | | Restart disable (default) LDRS DIS 008 [⊙] | Restart enable LDRS ENA 008 [⊙] |
| 08 | Output voltage *This setting is only available when the inverter is in standby mode (Switch off). | 230V (default) OUTV 230 008 [⊙] | 220V OUTV 220 008 [⊙] |
| | | 240V OUTV 240 008 [⊙] | 208V OUTV 208 008 [⊙] |
| 09 | Output frequency *This setting is only available when the inverter is in standby mode (Switch off). | 50Hz (default) OUTF 50 009 [⊙] | 60Hz OUTF 60 009 [⊙] |
| | | Number of series batteries connected BATTN 4 010 [⊙] (e.g. Showing batteries are connected in 4 series) | |

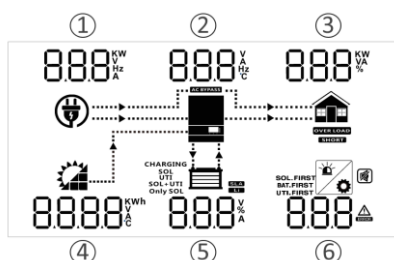
| | | | |
|----|---|---|---|
| 11 | Maximum utility charging current Note: If setting value in Program 02 is smaller than that in Program 11, the inverter will apply charging current from Program 02 for utility charger | ACI 30 ^A 0 11 [⚙] SPF 3500 ES :Default 30A, 0A~60A Settable SPF 5000 ES :Default 30A, 0A~80A Settable | |
| 12 | Setting voltage point back to utility source when selecting "SBU priority" or "Solar first" in program 01 | b2AC 46.0 ^V 0 12 [⚙] Default 46.0V, 44.0V~51.2V Settable | |
| 13 | Setting voltage point back to battery mode when selecting "SBU priority" or "Solar first" in program 01 | AC2b 54.0 ^V 0 13 [⚙] Default 54.0V, 48.0V~58.0V Settable | |
| 14 | Charger source priority: To configure charger source priority | If this off grid solar inverter is working in Line, Standby or Fault mode, charger source can be programmed as below: | |
| | | Solar first <small>SOL</small> CGPF 050 0 14 [⚙] | Solar energy will charge battery as first priority. Utility will charge battery only when solar energy is not available. |
| | | Solar and Utility <small>SOL+UTI</small> CGPF 50U 0 14 [⚙] | Solar energy and utility will both charge battery. |
| | | Only Solar <small>Only SOL</small> CGPF 050 0 14 [⚙] | Solar energy will be the only charger source no matter utility is available or not. |
| | | If this off grid solar inverter is working in Battery mode or Power saving mode, only solar energy can charge battery. Solar energy will charge battery if it's available and sufficient. | |
| 15 | Alarm control | Alarm on (default) bUZZ ON 0 15 [⚙] | Alarm off bUZZ OFF 0 15 [⚙] |
| 16 | Backlight control | Backlight on (default) LcdB ON 0 16 [⚙] | Backlight off LEdb OFF 0 16 [⚙] |
| 17 | Beeps while primary source is interrupted | Alarm on (default) ALAr ON 0 17 [⚙] | Alarm off ALAr OFF 0 17 [⚙] |
| 18 | Overload bypass: When enabled, the unit will transfer to line mode if overload occurs in battery mode. | Bypass disable (default) bYP dI S 0 18 [⚙] | Bypass enable bYP ENR 0 18 [⚙] |
| 19 | C.V. charging voltage. If self-defined is selected In program 5, this program can be set up | CV 56.4 ^V 0 19 [⚙] Default 56.4V, 48.0V~58.4V Settable | |
| 20 | Floating charging voltage. If self-defined is selected in program 5, this program can be set up | FLtV 54.0 ^V 0 20 [⚙] Default 54.0V, 48.0V~58.4V Settable | |

| | | | |
|----|--|--|--|
| 21 | <p>Low DC cut-off voltage. If self-defined is selected in program 5, this program can be set up. Low DC cut-off voltage will be fixed to setting value no matter what percentage of load is connected.</p> | <p>CUTV 42.0V 021^o</p> <p>Default 42.0V, 40.0V~48.0V Settable</p> <p>When reach Low DC cut-off voltage: 1) If battery power is only power source available, inverter will shut down. 2) If PV energy and battery power are available, inverter will charge battery without AC output. 3) If PV energy, battery power and utility are all available, inverter will transfer to line mode and provide output power to loads, and charge the battery at the same time.</p> | |
| 23 | <p>AC output mode *This setting is only available when the inverter is in standby mode (Switch off). Note: Parallel operation can only work when battery connected</p> | <p>Single: PRL 510 023^o</p> <p>L1 Phase: PRL 3P1 023^o</p> <p>L3 Phase: PRL 3P3 023^o</p> | <p>Parallel: PRL PAL 023^o</p> <p>L2 Phase: PRL 3P2 023^o</p> <p>When the units are used in parallel with single phase, please select "PAL" in program 23.</p> <p>It requires 3 inverters to support three-phase equipment, 1 inverter in each phase. Please select "3P1" in program 23 for the inverters connected to L1 phase, "3P2" in program 23 for the inverters connected to L2 phase and "3P3" in program 23 for the inverters connected to L3 phase.</p> <p>Be sure to connect share current cable to units which are on the same phase. Do NOT connect share current cable between units on different phases. Besides, power saving function will be automatically disabled.</p> |
| 28 | Address setting (for expansion) | <p>Addr 1 028^o</p> <p>Default 1, 1~255 Settable</p> | |
| 37 | Real time setting---Year | 2018 037 ^o | Default 2018, range 2018~2099 |
| 38 | Real time setting---Month | 01 12 038 ^o | Default 01, range 01~12 |
| 39 | Real time setting---Date | DAY 13 039 ^o | Default 01, range 01~31 |
| 40 | Real time setting---Hour | HOUR 13 040 ^o | Default 00, range 00~23 |
| 41 | Real time setting---Minute | 01 50 041 ^o | Default 00, range 00~59 |
| 42 | Real time setting---Second | SEC 50 042 ^o | Default 00, range 00~59 |

| | | | |
|----|------------------------------------|--|---|
| 43 | Battery equalization | Battery equalization enable | Battery equalization disable(default) |
| | | EQ ENA 043 ^o | EQ DIS 043 ^o |
| | | If "Flooded" or "User-Defined" is selected in program 05, this program can be set up. | |
| 44 | Battery equalization voltage | EQV 58.4V 044 ^o | Default 58.4V, 48.0V~58.4V Settable |
| 45 | Battery equalized time | 717 | Default 60min, 5min~900min Settable |
| | | EQE 60 045 ^o | |
| 46 | Battery equalized timeout | 717 | Default 120min, 5min~900min Settable |
| | | EQE0 120 046 ^o | |
| 47 | Equalization interval | DAY | Default 30days, 1 days~90 days Settable |
| | | EQI 30 047 ^o | |
| 48 | Equalization activated immediately | Equalization activated immediately on | Equalization activated immediately off(default) |
| | | EQ ON 048 ^o | EQ OFF 048 ^o |
| | | If equalization function is enabled in program 43, this program can be setup. If "On" is selected in this program, it's to activate battery equalization immediately and LCD main page will shows "EQ". If "Off" is selected, it will cancel equalization function until next activated equalization time arrives based on program 47setting. At this time, "EQ" will not be shown in LCD main page. | |
| 49 | Utility charging time | 0000(default) Allow utility to charge the battery all day run. | The time allows utility to charge the battery. Use 4 digits to represent the time period, the upper two digits represent the time when utility start to charge the battery, setting range from 00 to 23, and the lower two digits represent the time when utility end to charge the battery, setting range from 00 to 23. (eg: 2320 represents the time allows utility to charge the battery is from 23:00 to the next day 20:59, and the utility charging is prohibited outside of this period) |
| | | CHG 217 0000 049 ^o | |
| 50 | AC output time | 0000(default) Allow inverter to power the load all day run. | The time allows inverter to power the load. Use 4 digits to represent the time period, the upper two digits represent the time when inverter start to power the load, setting range from 00 to 23, and the lower two digits represent the time when inverter end to power the load, setting range from 00 to 23. (eg: 2320 represents the time allows inverter to power the load is from 23:00 to the next day 20:59, and the inverter AC output power is prohibited outside of this period) |
| | | OUP 217 0000 050 ^o | |

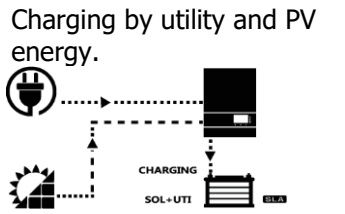
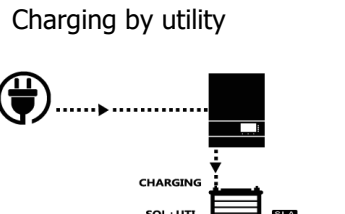
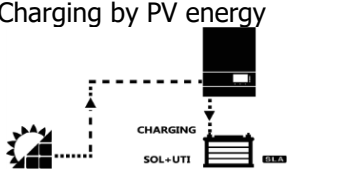
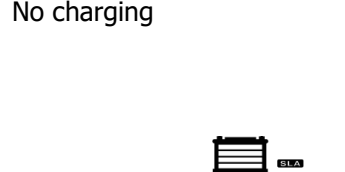
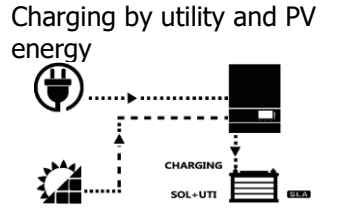
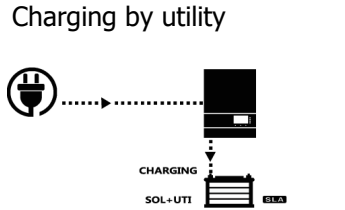
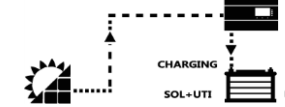
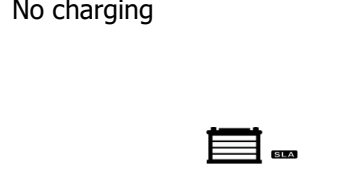
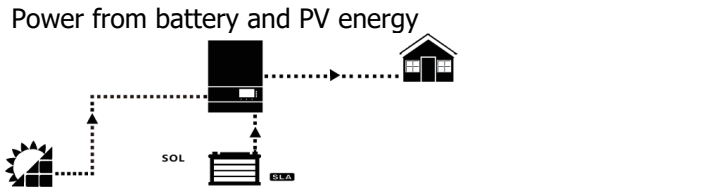

Display Information

The LCD display information will be switched in turns by pressing "UP" or "DOWN" key. The selectable information is switched as below order: voltage, frequency, current, power, firmware version.



| Setting Information | LCD display |
|---|-------------|
| ① AC Input voltage ② Output voltage ③ Load percentage ④ PV input voltage ⑤ Battery voltage ⑥ Warning or Fault code (Default Display Screen) | |
| ① AC Input frequency ② Output frequency ③ Load power in VA ④ PV energy sum in KWH ⑤ Battery percentage ⑥ Warning or Fault code | |
| ① AC Input current ② Output current ③ Load percentage ④ PV input current ⑤ Battery charging current ⑥ Warning or Fault code | |
| ① AC input power in Watts ② Inverter temperature ③ Load power in Watts ④ PV energy sum in KWH ⑤ Battery percentage ⑥ Warning or Fault code | |
| Firmware version (CPU1: 040-00-b21; CPU2:041-00-b21) | |
| Time (15:20:10, December 15, 2018) | |

Operating Mode Description

| Operation mode | Description | LCD display | |
|---|--|--|--|
| <p>Standby mode / Power saving mode</p> <p>Note: *Standby mode: The inverter is not turned on yet but at this time, the inverter can charge battery without AC output. *Power saving mode: If enabled, the output of inverter will be off when connected load is pretty low or not detected.</p> | <p>No output is supplied by the unit but it still can charge batteries.</p> | <p>Charging by utility and PV energy.</p>  | <p>Charging by utility</p>  |
| <p>Fault mode</p> <p>Note: *Fault mode: Errors are caused by inside circuit error or external reasons such as over temperature, output short circuited and so on.</p> | <p>PV energy and utility can charge batteries.</p> | <p>Charging by PV energy</p>  | <p>No charging</p>  |
| <p>Line Mode</p> | <p>The unit will provide output power from the mains. It can also charge the battery at line mode.</p> | <p>Charging by utility and PV energy</p>  | <p>Charging by utility</p>  |
| | | <p>Charging by PV energy</p>  | <p>No charging</p>  |
| <p>Battery Mode</p> | <p>The unit will provide output power from battery and PV power.</p> | <p>Power from battery and PV energy</p>  <p>Power from battery only</p>  | |

Parallel Installation Guide

Introduction

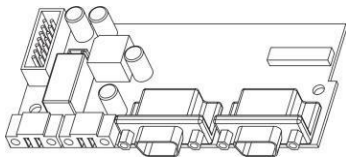
This inverter can be used in parallel with two different operation modes.

1. Parallel operation in single phase with up to 6 units.
2. Maximum 6 units work together to support 3-phase equipment. Four units support one phase maximum.

Note: If the package includes share current cable and parallel cable, the inverter is default supported parallel operation. You may skip section 3. If not, please purchase parallel kit and install this unit by following instruction from professional technical personnel in local dealer.

Package Contents

In parallel kit, you will find the following items in the package:



Parallel board



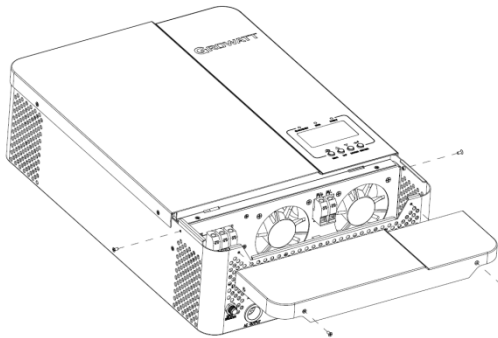
Parallel communication cable



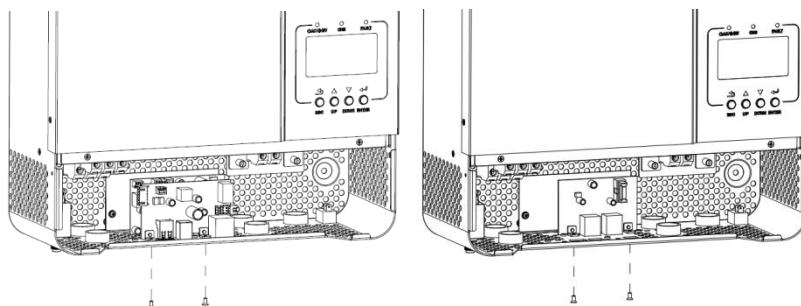
Current sharing cable

Parallel Board Installation

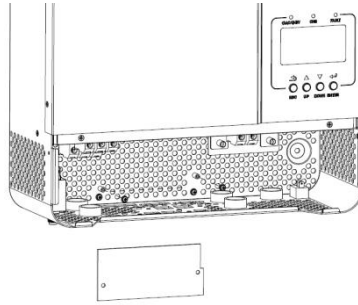
Step 1: Remove wire cover by unscrewing all screws.



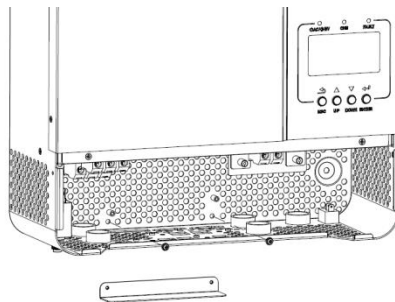
Step 2: Remove WiFi/GPRS communication board and CAN/RS485 communication board by unscrewing screws as below chart, and remove 2-pin and 6-pin cables.



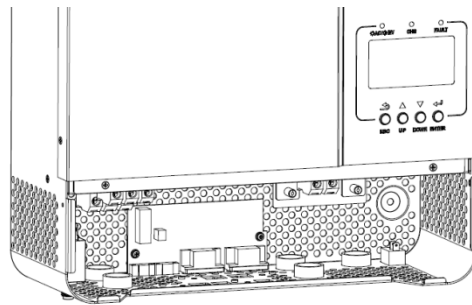
Step 3: Remove two screws as below chart and remove 2-pin and 14-pin cables. Take out the board under the communication boards.



Step 4: Remove two screws as below chart to take out cover of parallel communication.



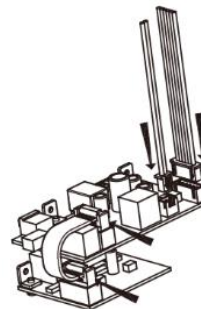
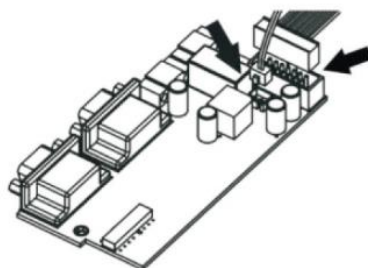
Step 5: Install new parallel board with 2 screws tightly.



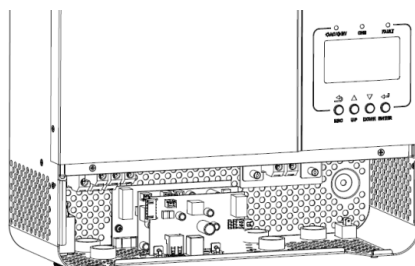
Step 6: Re-connect 2-pin and 14-pin to original position of parallel board, and re-connect 2-pin and 6-pin to original position of communication board.

Parallel board

Communication board



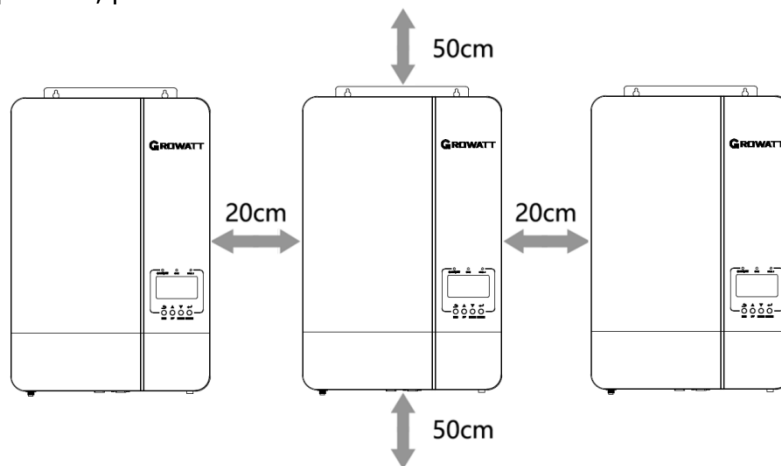
Step 7: Put communication boards back to the unit.



Step 8: Put wire cover back to the unit. Now the inverter is providing parallel operation function.

Mounting the Unit

When installing multiple units, please follow below chart.



Note: For proper air circulation to dissipate heat, allow a clearance of approx. 20cm to the side and approx. 50 cm above and below the unit. Be sure to install each unit in the same level.

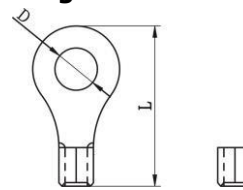
Wiring Connection

The cable size of each inverter is shown as below

Recommended battery cable and terminal size for each inverter:

| Model | Wire Size | Torque value |
|-------------|-----------|--------------|
| SPF 3500 ES | 1 * 4 AWG | 2-3 Nm |
| SPF 5000 ES | 1 * 2 AWG | 2-3 Nm |

Ring terminal:



WARNING: Be sure the length of all battery cables is the same. Otherwise, there will be voltage difference between inverter and battery to cause parallel inverters not working.

You need to connect the cables of each inverter together. Take the battery cables for example: You need to use a connector or bus-bar as a joint to connect the battery cables together, and then connect to the battery terminal. The cable size used from joint to battery should be X times cable size in the tables above. "X" indicates the number of inverters connected in parallel.

Regarding AC input and output, please also follow the same principle.

Recommended AC input and output cable size for each inverter:

| Model | Gauge | Torque Value |
|-------------|------------|--------------|
| SPF 3500 ES | 1 * 10 AWG | 1.2-1.6 Nm |
| SPF 5000 ES | 1 * 8 AWG | 1.2-1.6 Nm |

CAUTION!! Please install the breaker at the battery and AC input side. This will ensure the inverter can be securely disconnected during maintenance and fully protected from over current of battery or AC input.

Recommended breaker specification of battery for each inverter:

| Model | 1 unit* |
|-------------|--------------|
| SPF 3500 ES | 100A / 60VDC |
| SPF 5000 ES | 150A / 60VDC |

*If you want to use only one breaker at the battery side for the whole system, the rating of the breaker should be X times current of 1 unit. "X" indicates the number of inverters connected in parallel.

Recommended breaker specification of AC input with single phase:

| Model | 2 units | 3 units | 4 units | 5 units | 6 units |
|-------------|-------------|-------------|-------------|-------------|-------------|
| SPF 3500 ES | 80A/230VAC | 120A/230VAC | 160A/230VAC | 200A/230VAC | 240A/230VAC |
| SPF 5000 ES | 100A/230VAC | 150A/230VAC | 200A/230VAC | 250A/230VAC | 300A/230VAC |

Note1: You can use 40A breaker for SPF 3500 ES and 50A for SPF 5000 ES for only 1 unit, and each inverter has a breaker at its AC input.

Note2: Regarding three phase system, you can use 4 poles breaker, the rating is up to the current of the phase which has the maximum units. Or you can follow the suggestion of note 1.

Recommended battery capacity

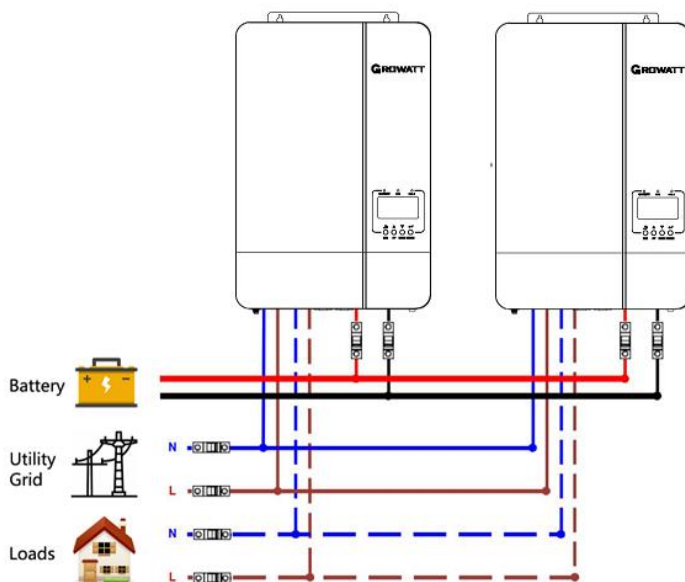
| Inverter parallel numbers | 2 | 3 | 4 | 5 | 6 |
|---------------------------|-------|-------|-------|--------|--------|
| Battery Capacity | 400AH | 600AH | 800AH | 1000AH | 1200AH |

WARNING! Be sure that all inverters will share the same battery bank. Otherwise, the inverters will transfer to fault mode.

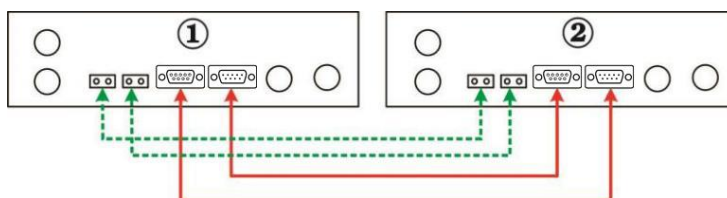
Parallel Operation in Single Phase

WARNING! All inverters must be connected to the same batteries and ensure each group of cables from the inverters to the batteries in the same length.

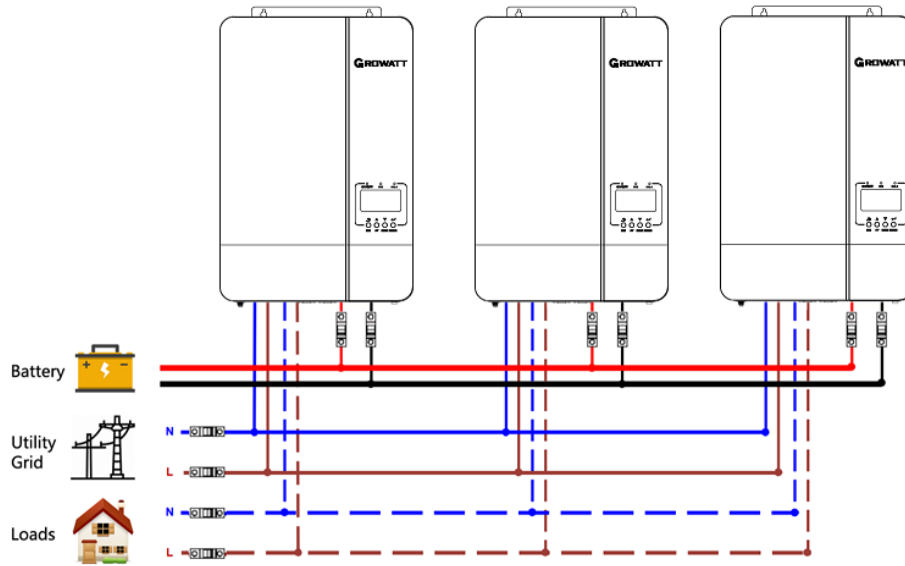
Two inverters in parallel:
Power Connection



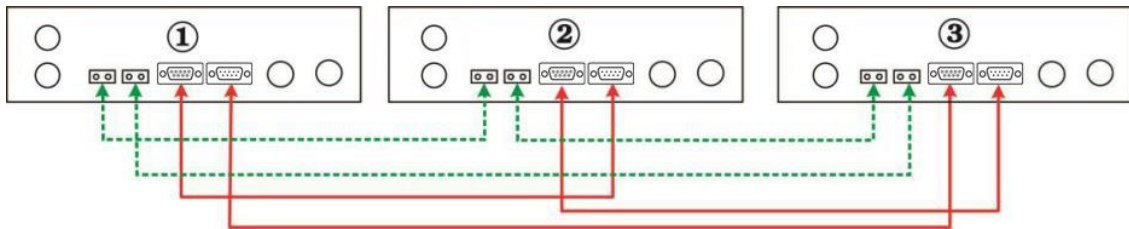
Communication Connection



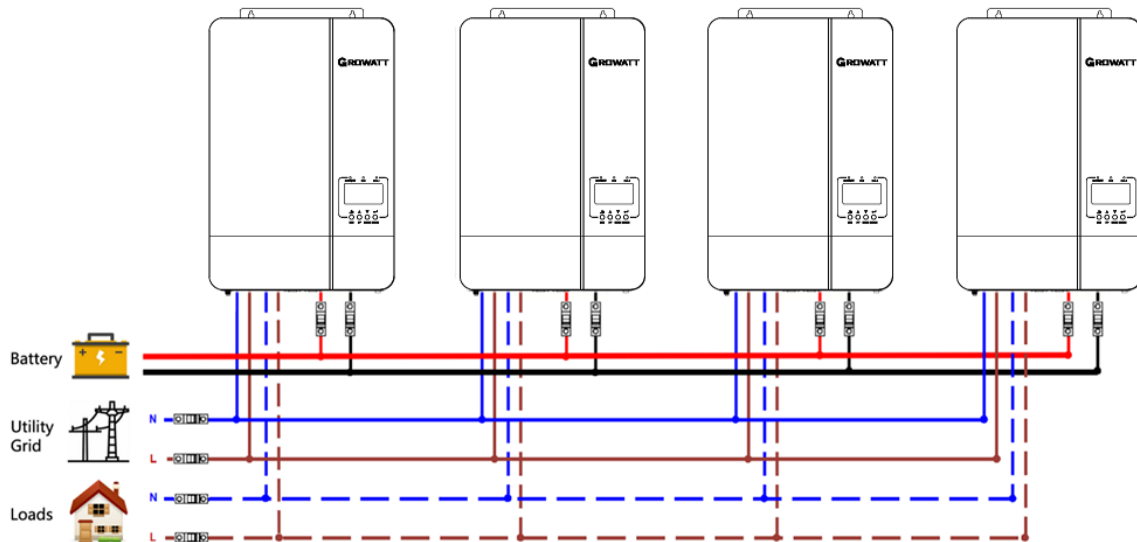
Three inverters in parallel:
Power Connection



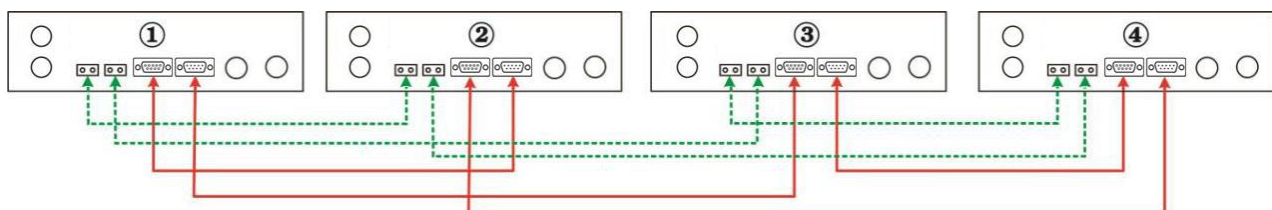
Communication Connection



Four inverters in parallel:
Power Connection

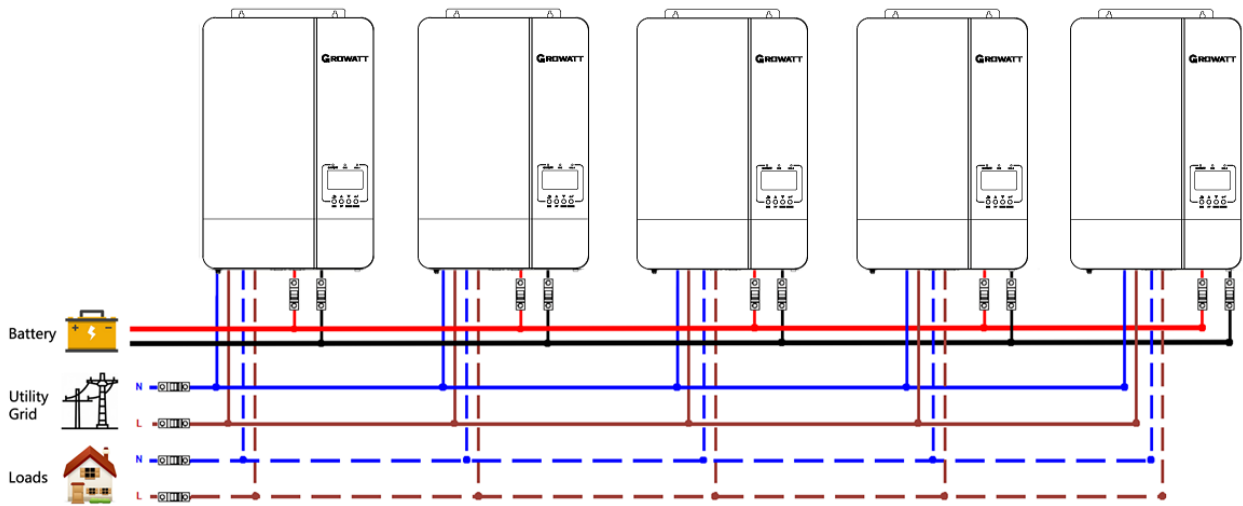


Communication Connection

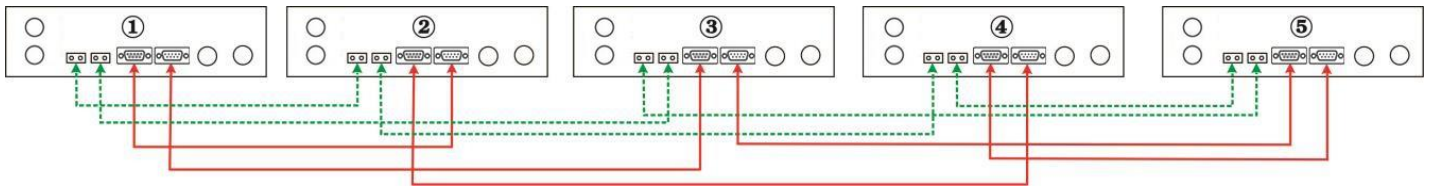


Five inverters in parallel:

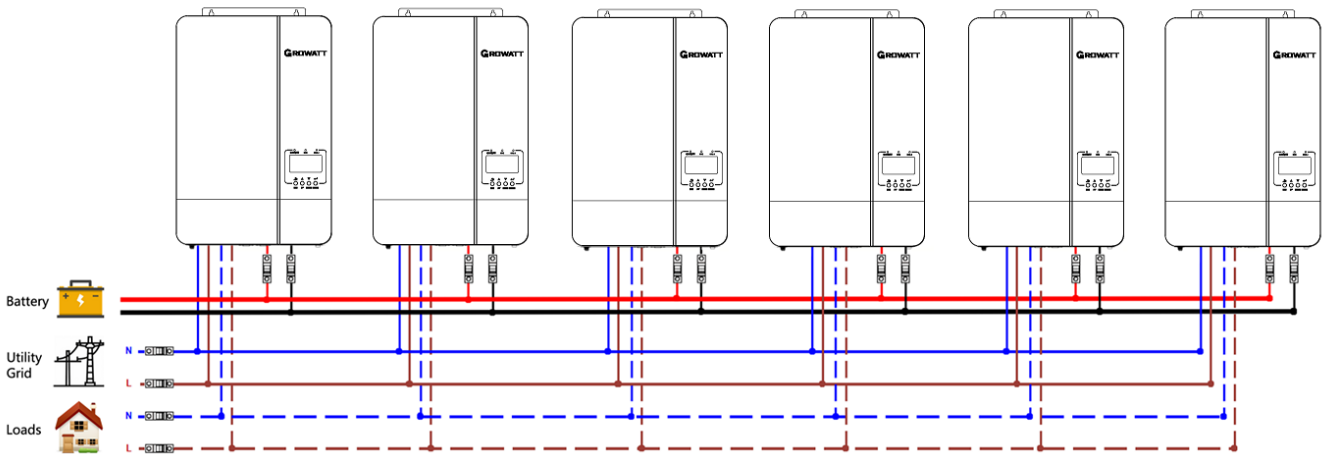
Power Connection



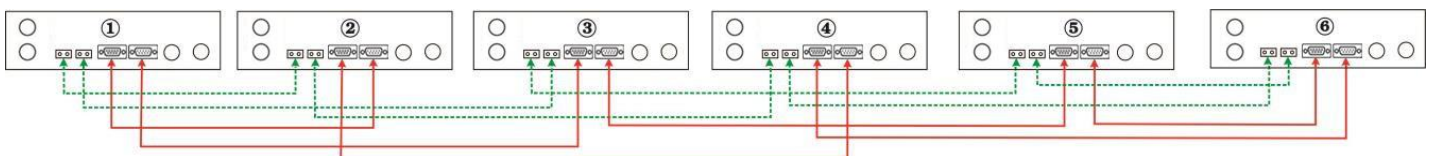
Communication Connection



Six inverters in parallel: Power Connection



Communication Connection

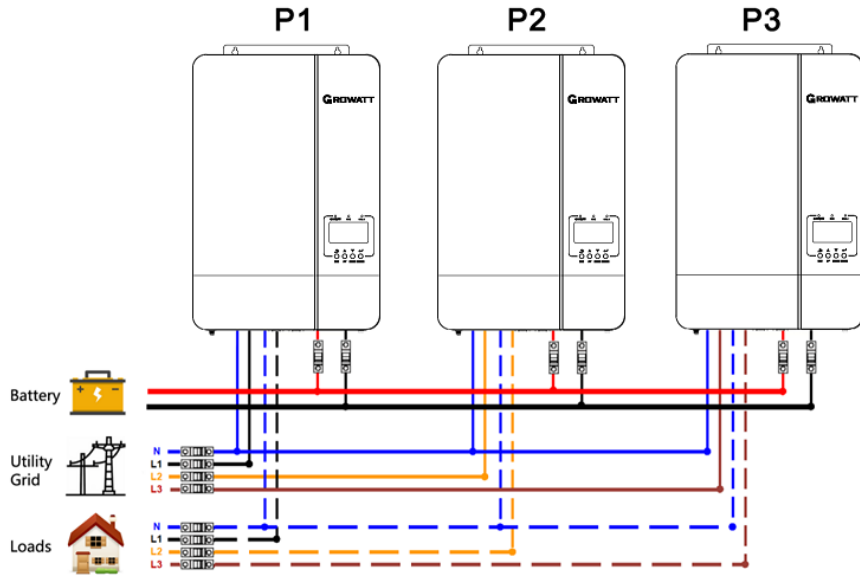


Parallel Operation in Three Phase

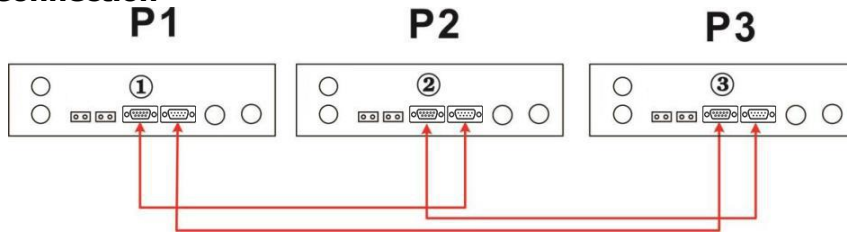
WARNING! All inverters must be connected to the same batteries and ensure each group of cables from the inverters to the batteries in the same length.

One inverter in each phase:

Power Connection

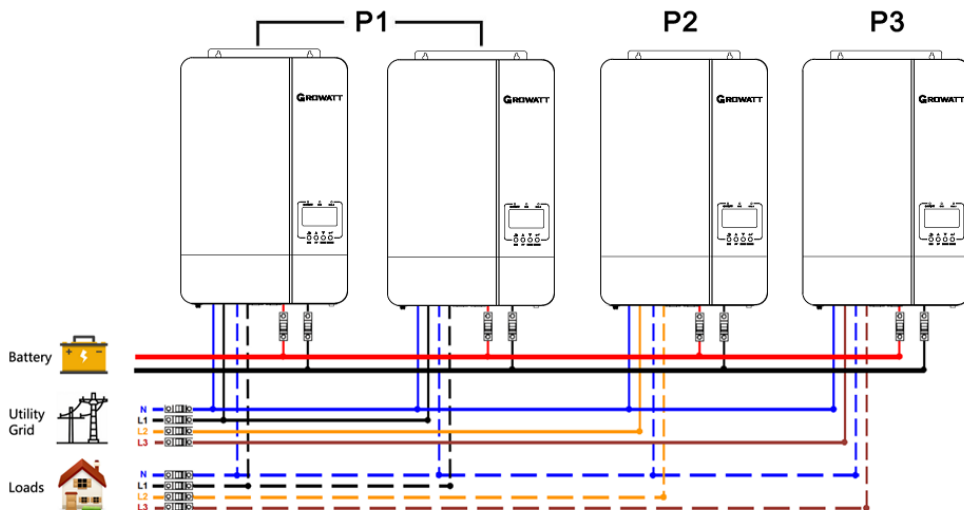


Communication Connection

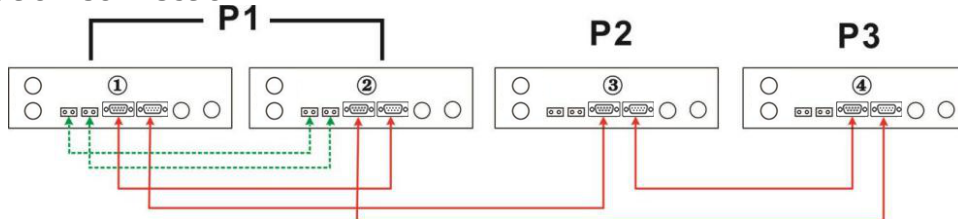


Two inverters in one phase and only one inverter for the remaining phases:

Power Connection

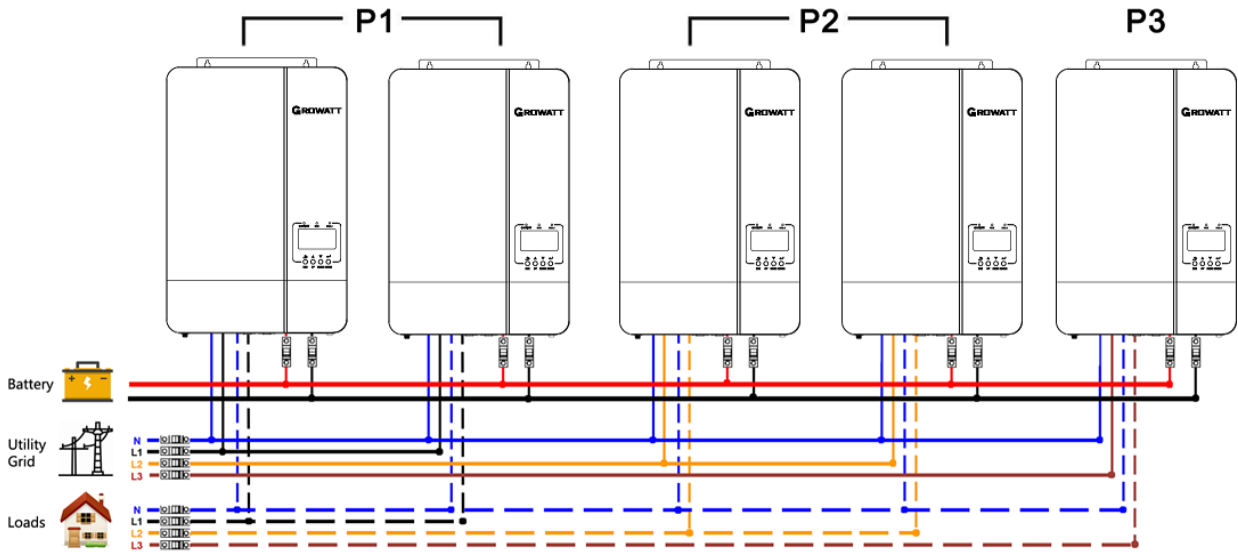


Communication Connection

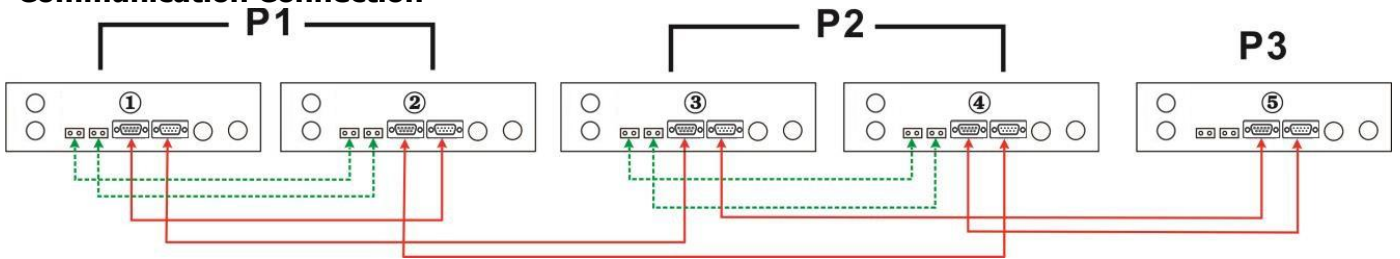


Two inverters in two phases and only one inverter for the remaining phase:

Power Connection

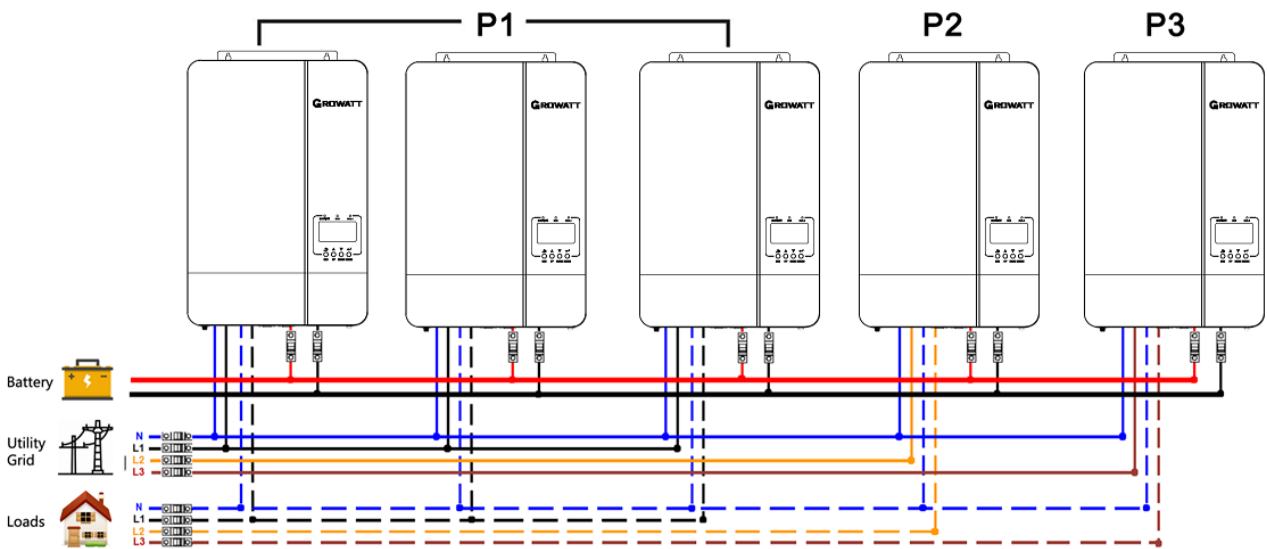


Communication Connection

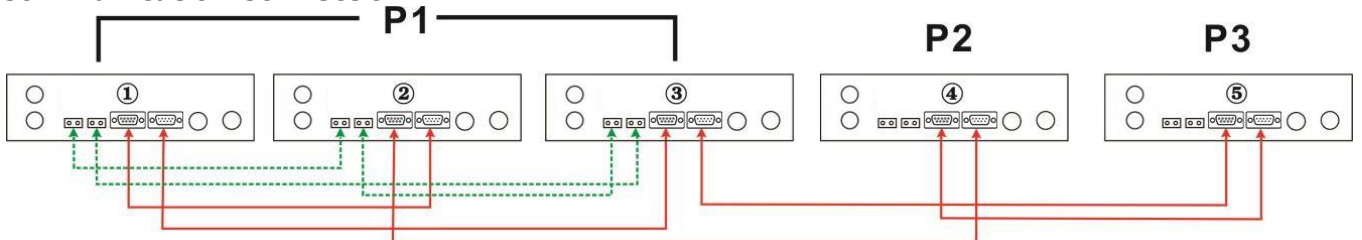


Three inverters in one phase and only one inverter for the remaining two phases:

Power Connection

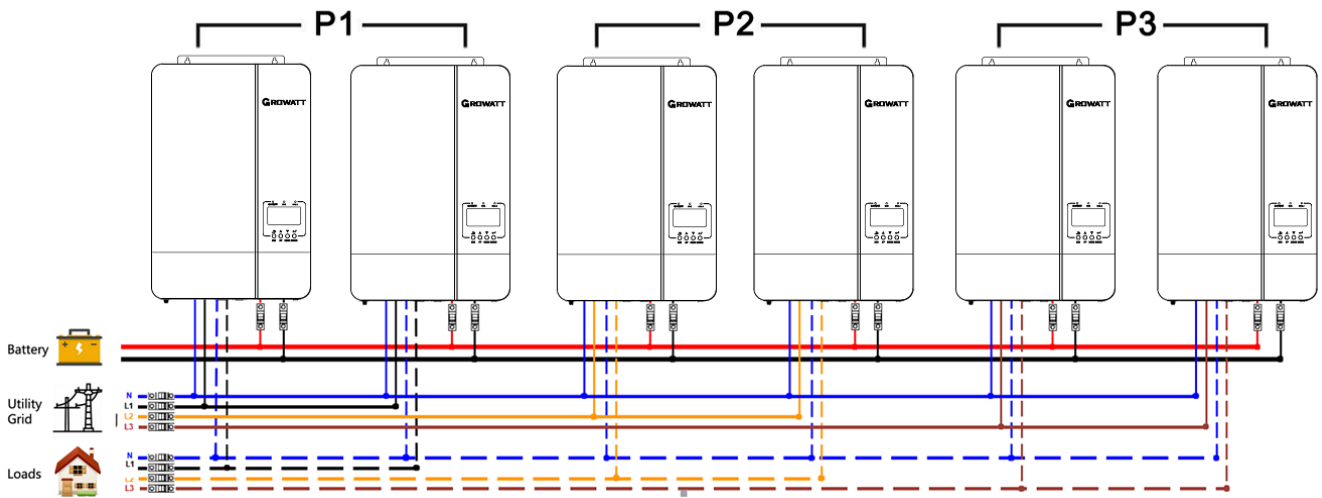


Communication Connection

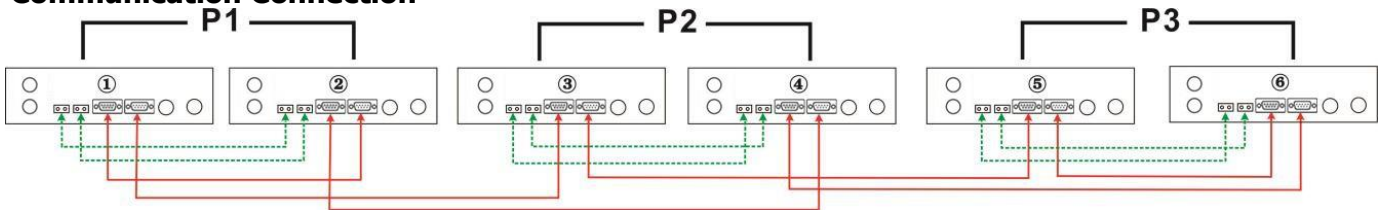


Two inverters in each phase:

Power Connection

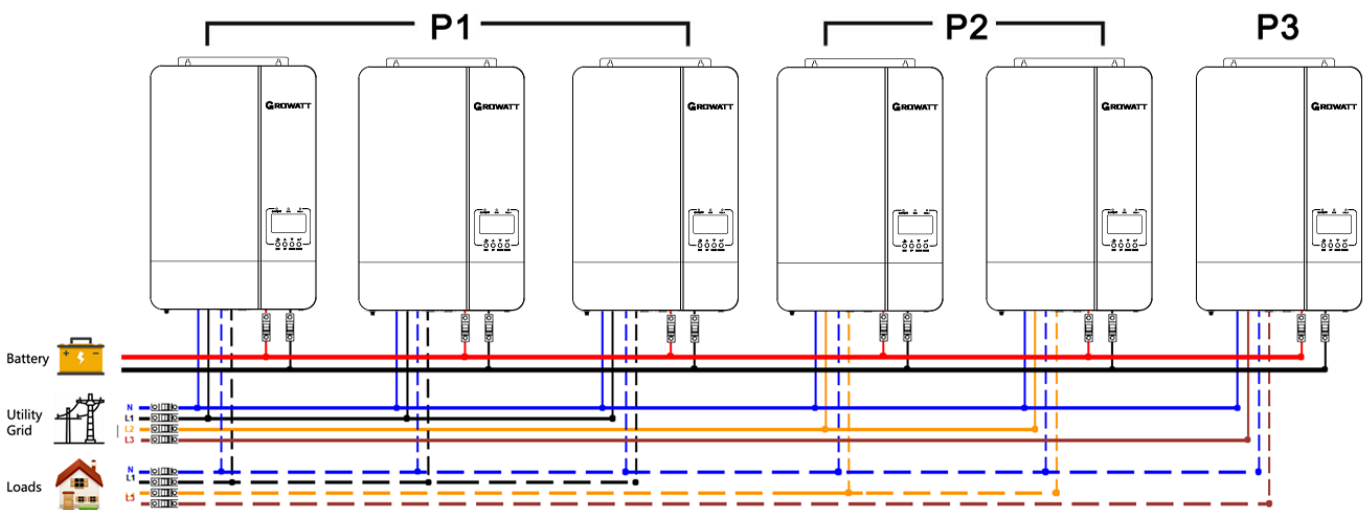


Communication Connection

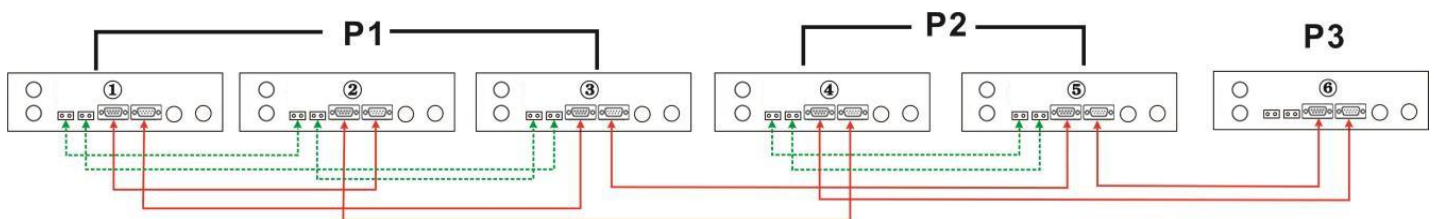


Three inverters in one phase, two inverters in second phase and one inverter for the third phase:

Power Connection

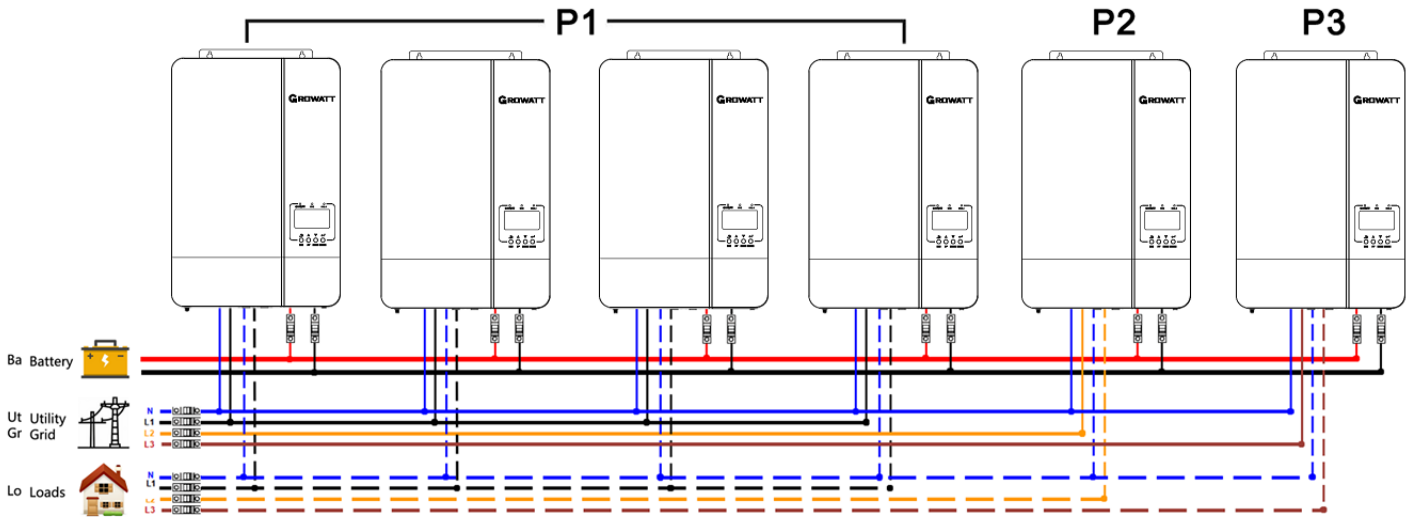


Communication Connection

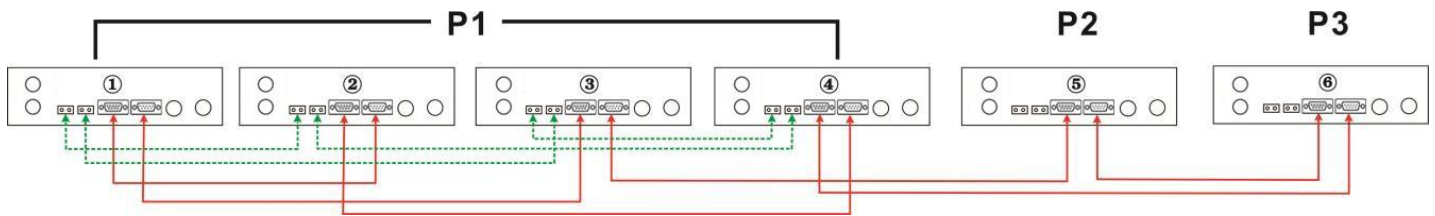


Four inverters in one phase and one inverter for the other two phases:

Power Connection



Communication Connection



WARNING: Do not connect the current sharing cable between the inverters which are in different phases. Otherwise, it may damage the inverters.

PV Connection

Please refer to user manual of single unit for PV Connection on Page 10.

CAUTION: Each inverter should connect to PV modules separate.

LCD Setting and Display

Refer to Program 23 on Page 18

Parallel in Single Phase

Step 1: Check the following requirements before commissioning:

- Correct wire connection
- Ensure all breakers in Line wires of load side are open and each Neutral wires of each unit are connected together.

Step 2: Turn on each unit and set "PAL" in LCD setting program 23 of each unit. And then shut down all units.

Note: It's necessary to turn off switch when setting LCD program. Otherwise, the setting can not be programmed.

Step 3: Turn on each unit.

| LCD display in Master unit | LCD display in Slave unit |
|----------------------------|---------------------------|
| | |

Note: Master and slave units are randomly defined.

Step 4: Switch on all AC breakers of Line wires in AC input. It's better to have all inverters connect to utility at the same time. If not, it will display warning 15.

| LCD display in Master unit | LCD display in Slave unit |
|----------------------------|---------------------------|
| | |

Step 5: If there is no more fault alarm, the parallel system is completely installed.

Step 6: Please switch on all breakers of Line wires in load side. This system will start to provide power to the load.

Parallel in Three Phase

Step 1: Check the following requirements before commissioning:

- Correct wire connection
- Ensure all breakers in Line wires of load side are open and each Neutral wires of each unit are connected together.

Step 2: Turn on all units and configure LCD program 23 as P1, P2 and P3 sequentially. Then shut down all units.

Note: It's necessary to turn off switch when setting LCD program. Otherwise, the setting can not be programmed.

Step 3: Turn on all units sequentially. Please turn on HOST inverter first, then turn on the rest one by one.

| LCD display in L1-phase unit | LCD display in L2-phase unit | LCD display in L3-phase unit |
|------------------------------|------------------------------|------------------------------|
| | | |

Step 4: Switch on all AC breakers of Line wires in AC input. If AC connection is detected and three phases are matched with unit setting, they will work normally. Otherwise, they will display warning 15/16 and will not work in the line mode.

| LCD display in L1-phase unit | LCD display in L2-phase unit | LCD display in L3-phase unit |
|------------------------------|------------------------------|------------------------------|
| | | |

Step 5: If there is no more fault alarm, the system to support 3-phase equipment is completely installed.

Step 6: Please switch on all breakers of Line wires in load side. This system will start to provide power to the load.

Note 1: If there's only one inverter in L1-phase, the LCD will show as "HST". If there is more than one inverter in L1-phase, the LCD of the HOST inverter will show as "HST", the rest of L1-phase inverters will show as "3P1".

Note 2: To avoid overload occurring, before turning on breakers in load side, it's better to have whole system in operation first.

Note 3: Transfer time for this operation exists. Power interruption may happen to critical devices, which cannot bear transfer time.

Fault Reference Code

| Fault Code | Fault Event | Icon on |
|------------|------------------------------|-------------------|
| 01 | Fan is locked | 01 _{ERR} |
| 02 | Over temperature | 02 _{ERR} |
| 03 | Battery voltage is too high | 03 _{ERR} |
| 04 | Battery voltage is too low | 04 _{ERR} |
| 05 | Output short circuited | 05 _{ERR} |
| 06 | Output voltage is too high. | 06 _{ERR} |
| 07 | Overload time out | 07 _{ERR} |
| 08 | Bus voltage is too high | 08 _{ERR} |
| 09 | Bus soft start failed | 09 _{ERR} |
| 51 | Over current or surge | 51 _{ERR} |
| 52 | Bus voltage is too low | 52 _{ERR} |
| 53 | Inverter soft start failed | 53 _{ERR} |
| 55 | Over DC voltage in AC output | 55 _{ERR} |
| 56 | Battery connection is open | 56 _{ERR} |
| 57 | Current sensor failed | 57 _{ERR} |
| 58 | Output voltage is too low | 58 _{ERR} |
| 60 | Negative power fault | 60 _{ERR} |
| 61 | PV voltage is too high | 61 _{ERR} |
| 62 | Internal communication error | 62 _{ERR} |
| 80 | CAN fault | 80 _{ERR} |
| 81 | Host loss | 81 _{ERR} |

Warning Indicator

| Warning Code | Warning Event | Audible Alarm | Icon flashing |
|--------------|--|----------------------------|-----------------|
| 01 | Fan is locked when inverter is on. | Beep 3 times every second | 01 [△] |
| 02 | Over temperature | Beep once every second | 02 [△] |
| 03 | Battery is over-charged | Beep once every second | 03 [△] |
| 04 | Low battery | Beep once every second | 04 [△] |
| 07 | Overload | Beep once every 0.5 second | 07 [△] |
| 10 | Output power derating | Beep twice every 3 seconds | 10 [△] |
| 12 | Solar charger stops due to low battery | Beep once every second | 12 [△] |
| 13 | Solar charger stops due to high PV voltage | Beep once every second | 13 [△] |
| 14 | Solar charger stops due to overload | Beep once every second | 14 [△] |
| 15 | Parallel input utility grid different | Beep once every second | 15 [△] |
| 16 | Parallel input phase error | Beep once every second | 16 [△] |
| 17 | Parallel output phase loss | Beep once every second | 17 [△] |
| 18 | Buck over current | Beep once every second | 18 [△] |
| 19 | Battery disconnect | No beep | 19 [△] |
| 20 | BMS communication error | Beep once every second | 20 [△] |
| 21 | PV power insufficient | Beep once every second | 21 [△] |
| 22 | Parallel forbidden without battery | Beep once every second | 22 [△] |
| 25 | Parallel inverters' capacity different | Beep once every second | 25 [△] |
| 33 | BMS communication loss | Beep once every second | 33 [△] |
| 34 | Cell over voltage | Beep once every second | 34 [△] |
| 35 | Cell under voltage | Beep once every second | 35 [△] |
| 36 | Total over voltage | Beep once every second | 36 [△] |
| 37 | Total under voltage | Beep once every second | 37 [△] |
| 38 | Discharge over voltage | Beep once every second | 38 [△] |
| 39 | Charge over voltage | Beep once every second | 39 [△] |
| 40 | Discharge over temperature | Beep once every second | 40 [△] |
| 41 | Charge over temperature | Beep once every second | 41 [△] |
| 42 | Mosfet over temperature | Beep once every second | 42 [△] |
| 43 | Battery over temperature | Beep once every second | 43 [△] |
| 44 | Battery under temperature | Beep once every second | 44 [△] |
| 45 | System shut down | Beep once every second | 45 [△] |

Battery Equalization

Equalization function is added into charge controller. It reverses the buildup of negative chemical effects like stratification, a condition where acid concentration is greater at the bottom of the battery than at the top. Equalization also helps to remove sulfate crystals that might have built up on the plates. If left unchecked, this condition, called sulfation, will reduce the overall capacity of the battery. Therefore, it's recommended to equalize battery periodically.

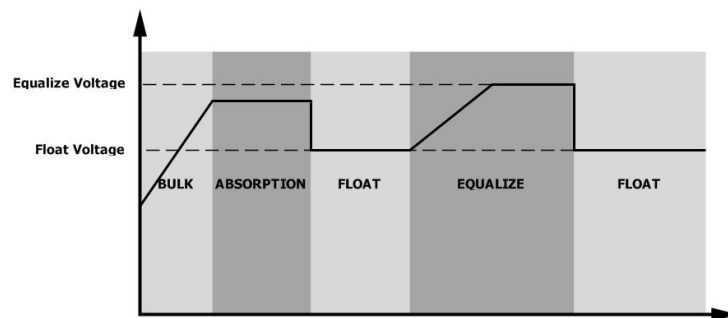
- **How to Apply Equalization Function**

You must enable battery equalization function in monitoring LCD setting program 43 first. Then, you may apply this function in device by either one of following methods:

1. Setting equalization interval in program 47.
2. Active equalization immediately in program 48.

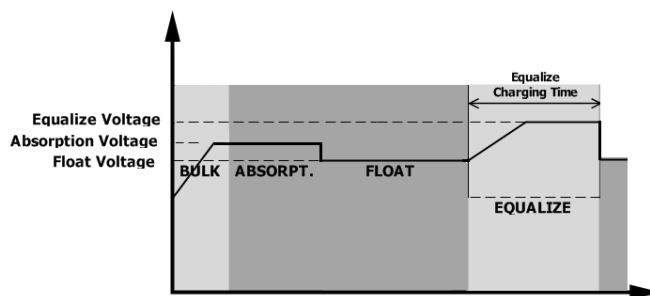
- **When to Equalize**

In float stage, when the setting equalization interval (battery equalization cycle) is arrived, or equalization is active immediately, the controller will start to enter Equalize stage.

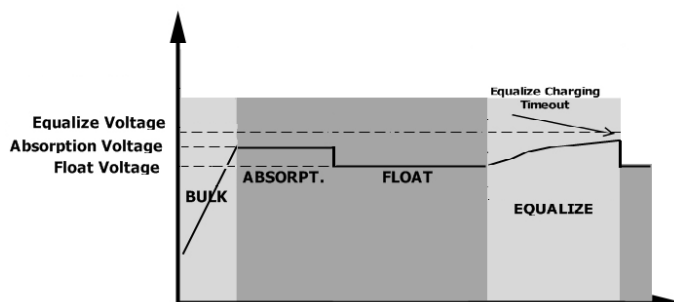


- **Equalize charging time and timeout**

In Equalize stage, the controller will supply power to charge battery as much as possible until battery voltage raises to battery equalization voltage. Then, constant-voltage regulation is applied to maintain battery voltage at the battery equalization voltage. The battery will remain in the Equalize stage until setting battery equalized time is arrived.



However, in Equalize stage, when battery equalized time is expired and battery voltage doesn't rise to battery equalization voltage point, the charge controller will extend the battery equalized time until battery voltage achieves battery equalization voltage. If battery voltage is still lower than battery equalization voltage when battery equalized timeout setting is over, the charge controller will stop equalization and return to float stage.



Specifications

Table 1 Line Mode Specifications

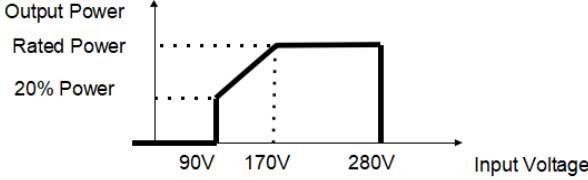
| INVERTER MODEL | SPF 3500 ES | SPF 5000 ES |
|---|--|-------------|
| Input Voltage Waveform | Sinusoidal (utility or generator) | |
| Nominal Input Voltage | 230Vac | |
| Low Loss Voltage | 170Vac \pm 7V (UPS); 90Vac \pm 7V (Appliances) | |
| Low Loss Return Voltage | 180Vac \pm 7V (UPS); 100Vac \pm 7V (Appliances) | |
| High Loss Voltage | 280Vac \pm 7V | |
| High Loss Return Voltage | 270Vac \pm 7V | |
| Max AC Input Voltage | 300Vac | |
| Nominal Input Frequency | 50Hz / 60Hz (Auto detection) | |
| Low Loss Frequency | 40 \pm 1Hz | |
| Low Loss Return Frequency | 42 \pm 1Hz | |
| High Loss Frequency | 65 \pm 1Hz | |
| High Loss Return Frequency | 63 \pm 1Hz | |
| Output Short Circuit Protection | Circuit Breaker | |
| Efficiency (Line Mode) | >95% (Rated R load, battery full charged) | |
| Transfer Time | 10ms typical, 20ms Max@ Single <30ms @ Parallel | |
| <p>Output power derating: When AC input voltage drops to 170V, the output power will be derated.</p> |  | |

Table 2 Inverter Mode Specifications

| INVERTER MODEL | SPF 3500 ES | SPF 5000 ES |
|---|--|--------------------|
| Rated Output Power | 3.5KVA/3.5KW | 5KVA/5KW |
| Output Voltage Waveform | Pure Sine Wave | |
| Output Voltage Regulation | 230Vac±5% | |
| Output Frequency | 50Hz | |
| Nominal Output Current | 15.2A | 21.7A |
| Max. Output Fault Current/ Duration | 80A/ 300µs | |
| Max. Output Overcurrent Protection | 58A | 65A |
| Peak Efficiency | 93% | |
| Overload Protection | 5s@≥150% load; 10s@110%~150% load | |
| Surge Capacity | 2* rated power for 5 seconds | |
| Nominal DC Input Voltage | 48Vdc | |
| Cold Start Voltage(Lead-Acid Mode) | 46.0Vdc | |
| Cold Start SOC(Li Mode) | Default 30%, Low DC Cut-off SOC +10% | |
| Low DC Warning Voltage (Lead-Acid Mode) | 44.0Vdc @ load < 20% 42.8Vdc @ 20% ≤ load < 50% 40.4Vdc @ load ≥ 50% | |
| Low DC Warning Return Voltage (Lead-Acid Mode) | 46.0Vdc @ load < 20% 44.8Vdc @ 20% ≤ load < 50% 42.4Vdc @ load ≥ 50% | |
| Low DC Cut-off Voltage (Lead-Acid Mode) | 42.0Vdc @ load < 20% 40.8Vdc @ 20% ≤ load < 50% 38.4Vdc @ load ≥ 50% | |
| Low DC Cut-off Voltage (Li Mode) | 42.0Vdc | |
| Low DC Warning SOC (Li Mode) | Low DC Cut-off SOC +5% | |
| Low DC Warning Return SOC (Li Mode) | Low DC Cut-off SOC +10% | |
| Low DC Cut-off SOC(Li Mode) | Default 20%, 5%~50% settable | |
| High DC Recovery Voltage | 56.4Vdc(C.V. charging voltage) | |
| High DC Cut-off Voltage | 60.8Vdc | |
| No Load Power Consumption | <60W | |

Table 3 Charge Mode Specifications

| Utility Charging Mode | | |
|---|-------------------------------|-------------------------------|
| INVERTER MODEL | SPF 3500 ES | SPF 5000 ES |
| Charging Algorithm | 3-Step | |
| Max. AC Charging Current | 60Amp(@ $V_{I/P}=230V_{ac}$) | 80Amp(@ $V_{I/P}=230V_{ac}$) |
| Bulk Charging Voltage | Flooded Battery | 58.4Vdc |
| | AGM / Gel Battery | 56.4Vdc |
| Floating Charging Voltage | 54Vdc | |
| Charging Curve | | |
| MPPT Solar Charging Mode | | |
| Max. PV Array Power | 4500W | 6000W |
| Max. PV Input Current | 22A | |
| Start-up Voltage | 150Vdc ± 10Vdc | |
| PV Array MPPT Voltage Range | 120Vdc ~ 430Vdc | |
| Max. PV Array Open Circuit Voltage | 450Vdc | |
| Max. Inverter Back Feed Current To The Array | 0A | |
| Max. PV Charging Current | 80A | 100A |
| Max. Charging Current (AC Charger Plus Solar Charger) | 80A | 100A |

Table 4 General Specifications

| INVERTER MODEL | SPF 3500 ES | SPF 5000 ES |
|-----------------------------|--|-------------|
| Safety Certification | CE | |
| Operating Temperature Range | 0°C to 55°C | |
| Storage temperature | -15°C ~ 60°C | |
| Humidity | 5% to 95% Relative Humidity (Non-condensing) | |
| Altitude | <2000m | |
| Dimension(D*W*H), mm | 485 x 330 x 135 | |
| Net Weight, kg | 11.5 | 12 |

Trouble Shooting

| Problem | LCD/LED/Buzzer | Explanation | What to do |
|--|---|---|--|
| Unit shuts down Automatically during startup process. | LCD/LEDs and buzzer will be active for 3 seconds and then complete off. | The battery voltage is too low . (<1.91V/Cell) | 1. Re-charge battery. 2. Replace battery. |
| No response after power on. | No indication. | 1.The battery voltage is far too low. (<1.4V/Cell) 2.Battery polarity is connected reversed. | 1. Check if batteries and the wiring are connected well. 2. Re-charge battery. 3. Replace battery. |
| Mains exist but the unit works in battery mode. | Input voltage is 0 on the LCD and green LED is flashing. | Input protector is tripped. | Check if AC breaker is tripped and AC wiring is connected well. |
| | Green LED is flashing. | Insufficient quality of AC power (Shore or Generator) | 1.Check if AC wires are too thin and/or too long. 2.Check if generator (if applied) is working well or if input voltage range setting is correct. (UPS→Appliance) |
| | Green LED is flashing. | Set "Battery First" or "Solar First" as the priority of output source. | Change output source priority to Utility first. |
| When it's turned on, internal relay is switching on and off repeatedly. | LCD display and LEDs are flashing | Battery is disconnected. | Check if battery wires are connected well. |
| Buzzer beeps continuously and red LED is on. (Fault code) Buzzer beeps once every second, and red LED is flashing. (Warning code) | Fault code 01 | Fan fault. | 1.Check whether all fans are working properly. 2.Replace the fan. |
| | Fault code 02 | Internal temperature of component is over 100°C. | 1. Check whether the air flow of the unit is blocked or whether the ambient temperature is too high. 2. Check whether the thermistor plug is loose. |
| | Fault code 03 | Battery is over-charged. | Restart the unit, if the error happens again, please return to repair center. |
| | | The battery voltage is too high. | Check if spec and quantity of batteries are meet requirements. |
| | Warning code 04 | The battery voltage/SOC is too low. | 1. Measure battery voltage in DC input. 2. Check battery SOC in LCD when use Li battery 3. Recharge the battery. |
| | Fault code 05 | Output short circuited. | Check if wiring is connected well and remove abnormal load. |
| | Fault code 06/58 | Output abnormal (Inverter voltage is higher than 280Vac or lower than 80Vac). | 1. Reduce the connected load. 2. Restart the unit, if the error happens again, please return to repair center. |
| | Fault code 07 | The inverter is overload 110% and time is up. | Reduce the connected load by switching off some equipment. |

| | | | |
|---|---------------------|---|---|
| <p>Buzzer beeps continuously and red LED is on. (Fault code)</p> <p>Buzzer beeps once every second, and red LED is flashing. (Warning code)</p> | Fault code 08 | Bus voltage is too high. | <ol style="list-style-type: none"> 1. If you connect to a lithium battery without communication, check whether the voltage points of the program 19 and 21 are too high for the lithium battery. 2. Restart the unit, if the error happens again, please return to repair center. |
| | Fault code 09/53/57 | Internal components failed. | Restart the unit, if the error happens again, please return to repair center. |
| | Warning code 15 | The input status is different in parallel system. | Check if AC input wires of all inverters are connected well. |
| | Warning code 16 | Input phase is not correct. | Change the input phase S and T wiring. |
| | Warning code 17 | The output phase not correct in parallel. | <ol style="list-style-type: none"> 1. Make sure the parallel settings are the same system (single or parallel; 3P1, 3P2, 3P3). 2. Make sure all phases inverters are power on. |
| | Warning code 20 | Li battery can't communicate to the inverter. | <ol style="list-style-type: none"> 1. Check whether communication line is correct connection between inverter and battery. 2. Check whether BMS protocol type is correct setting. |
| | Fault code 51 | Over current or surge. | Restart the unit, if the error happens again, please return to repair center. |
| | Fault code 52 | Bus voltage is too low. | |
| | Fault code 55 | Output voltage is unbalanced | |
| | Fault code 56 | Battery is not connected well or fuse is burnt. | <ol style="list-style-type: none"> 1. If you connect to a lithium battery without communication, check whether the voltage points of the program 19 and 21 are too high for the lithium battery. 2. If the battery is connected well, restart the unit. If the error happens again, please return to repair center. |
| | Fault code 60 | Negative power fault | <ol style="list-style-type: none"> 1. Check whether the AC output connected to the grid input. 2. Check whether Program 8 settings are the same for all parallel inverters 3. Check whether the current sharing cables are connected well in the same parallel phases. 4. Check whether all neutral wires of all parallel units are connected together. 5. If problem still exists, contact repair center. |
| | Fault code 80 | CAN fault | <ol style="list-style-type: none"> 1. Check whether the parallel communication cables are connected well. 2. Check whether Program 23 settings are right for the parallel system. 3. If problem still exists, contact repair center |
| Fault code 81 | Host loss | | |

Note: To restart the inverter, all power sources need to be disconnected. After the LCD screen light is off, only use the battery to boot.